



Spare Parts Catalog

6 S 1000 TO

KAMAZ PUBLIC JOINT STOCK COMPANY

Material number: 1346.002.062

ZF Friedrichshafen AG

Hauptverwaltung

80038 Friedrichshafen

Deutschland

Telefon: +49 7541 77-0

Telefax: +49 7541 77-908000

www.zf.com

zuständiges Werk:

Friedrichshafen

Notes relating to the spare parts catalog

Setup of the spare parts catalog

- Cover sheet
- Technical Cover (only in SDM print)
- Overview of figures
- Figure
- Associated parts list
- Next figure
- Associated parts list
- ...

Figure and parts list



Overview of figures

Bildtafel Figure	Sachnummer Product number	Benennung (Description)	Technische Info Technical info	Description (Benennung)	Menge Quantity	Einheit Unit
068.08.17	1316.170.001	AUSLEGER	WL	SHIFT TURRET	1	Stk
068.08.06	1316.170.031	DECKEL	WL*H-H *VM	COVER	1	Stk
068.08.14	1316.170.808	DECKEL	WL*AUSL+GEH*H-H*HF160N	COVER	1	Stk
08	1316.170.441	ANSCHLUSSTEILE	WL*NG-VORB*RG-SCHL*168N *BAJONETT	CONNECTING PARTS	1	Stk

The "gap" indicates that there is no separate graphics panel (poster) for this assembly
The parts of this assembly are shown with the same mid-section number on the figure

1 Positions and subpositions

Pos.	Sachnummer Product number	Benennung (Description)	Technische Info Technical info	Description (Benennung)	Menge Quantity	Einheit Unit
0370	1315.201.054	RUECKLAUFBOLZEN	KPL.16S151*SG*L= 79	REV.IDLER SHAFT	1	Stk
/0120	0631.329.293	SPANNSTIFT		SLOT. PIN	1	Stk

Positions marked with "/" are the individual items of a completion
For example: Position 0370 contains a centering pin with the position /0120

2 Combinations with standardized parts

Pos.	Sachnummer Product number	Benennung (Description)	Technische Info Technical info	Description (Benennung)	Menge Quantity	Einheit Unit
0630		VERSCHL.SCHR.		SCREW PLUG	1	Stk
	0636.302.067	VERSCHL.SCHR.		SCREW PLUG	1	Stk
	0634.801.249	DICHTRING	A 26 X 31	SEALING RING	1	Stk

The parts list shows the components included in the combination of standardized parts

3 Depiction of position/item number on the figure and in the parts list

01.620 - on the figure 01 relates to the assembly in which the position is included. Due to program-related reasons, it is shown on the figure.

0620 - in the parts list

Pos.	Sachnummer Product number	Benennung (Description)	Technische Info Technical info	Description (Benennung)	Menge Quantity	Einheit Unit
0620	0732.040.736	DRUCKFEDER		COMPRESSION SPRING	1	Stk

4 *-Positions

Positions marked with an * are optional i.e. inclusion in the parts list is not mandatory.
The following note is shown on the figure

je nach Stücklistenausführung
depending on spec. number
*
suivant la nomenclature
secondo la distinta base

5 Parts, dotted display

Parts with dotted display on the figure are only used for orientation of other parts



Pos.	Information	Amendment number
001	Use case -----	
002	Customer KAMAZ PUBLIC JOINT STOCK COMPANY	
003	City Naberezhnye Chelny	
004	DUNS 64-493-2113	
005	Vehicle / Apparatus -----	
006	Sales Name KAMAZ-4308	
007	Manufacturer KAMAZ PUBLIC JOINT STOCK COMPANY	
008	Engineering Name	
009	Product Use TRUCK	
010	Vehicle/Hardware Type ROAD TRACTOR	
011	SOP	
012	Engine	
013	Sales Designation	
014	Manufacturer Cummins Engine Co.	
015	Eng.Displ.	
016	Cylinder	
017	Nom. power 136 kW	
018	RPM at nom. power 2500 1/min	
019	Nom. torque 700 Nm	
020	RPM at nom. torque 1500 1/min	
021	Classification use case -----	
022	APPROVAL NOTE 1 FIRST FITTING CHECK CARR.OUT	
024	DESIGNATION, CLUTCH MF395	
025	MANUFACTURER, CLUTCH ZF-SACHS	
026	TOTAL NUMBER OF WHEELS 4	
027	NUMBER OF DRIVING WHEELS 4	
028	DYNAMIC TYRE RADIUS 407 mm	
029	REAR AXLE RATIO 4.78	
033	PERMISS.GROSS VEHICLE WEIGHT 11 t	
034	PERMISS.GROSS COMBIN.WEIGHT 19 t	
035	Product description -----	
036	INSTALLATION POS TRANSMISSION HORIZONTAL LEFT	



Pos.	Information	Amendment number
037	TRANSMISSION ATTACHMENT FLANGE-MOUNTED	
038	RATIO, BOTTOM GEAR 6.75	
039	RATIO, TOP GEAR .78	
040	SET OF RATIOS SG	
041	RATIO, 1ST GEAR 6.75	
042	RATIO, 2ND GEAR 3.6	
043	RATIO, 3RD GEAR 2.13	
044	RATIO, 4TH GEAR 1.39	
045	RATIO, 5TH GEAR 1	
046	RATIO, 6TH GEAR .78	
047	RATIO, 1ST GEAR REVERSE 6.06	
048	DESIGN, SHIFT SYSTEM TURNING SHAFT	
049	POSITION, GEAR SHIFT SYSTEM HORIZONTAL LEFT	
053	SELECTION PATTERN VARIANT GEAR SHIFT PATTERN 1	
054	REFERENCE LENGTH INPUT SHAFT 107 mm	
055	STANDARD TYPE INPUT SHAFT SAE	
056	NUMBER OF WEDGES INPUT SHAFT 10	
057	VERSION OF INPUT SHAFT FORM C	
058	NOMINAL DIAMETER INPUT SHAFT 1.75 in	
059	DIAMETER, JOURNAL, INPUT SHAFT 25 mm	
060	TYPE FIT SPIGOTS INPUT SHAFT F7	
061	DIAMETER SHAFT OF INPUT SHAFT 44 mm	
065	DESIGN,CONN., CLUTCH HOUSING SAE 2	
066	VERSION OF CLUTCH HOUSING INTEGRATED	
067	TYPE OF RELEASE MECHANISM	
068	WRENCH SIZE, RELEASE FORK 75 mm	
069	VERSION OF CLUTCH CYLINDER	
070	ASSEMBLY POS. CLUTCH CYLINDER 6	
072	LENGTH TAPPET CLUTCH CYLINDER 112.000 mm	
073	DESIGN RELEASE BEARING WITHOUT GROOVE	
076	REF.LENGTH,RELEASE BEAR.FLAN 15 mm	
077	DIAMETER, RELEASE FLANGE 57 mm	



Pos.	Information	Amendment number
078	OUTER DIA. OUTPUT FLANGE RA 155.000 mm	
079	NUMBERS OF BORES OUTPUT FL. RA 4	
080	BORE DIA. OUTPUT FLANGE RA 13 mm	
086	REF. LENGTH OUTPUT FLANGE RA 709 mm	
087	DIMENSION SHIFT TURRET DIST. 245.000 mm	
088	MEAS. LOC. SHIFT TURRET DIST. SHIFT LEVER OUTSIDE EDGE	
093	RADIUS 1 SHIFT LEVER 65 mm	
094	DESIGN, OFFSET, SHIFT LEVER OUTSIDE	
096	LEVER POSITION SHIFTING OUTPUT C	
103	SPRING ARRANGEMENT Q1	
104	TOOLING SET OF SPRINGS W018	
106	SPRING FORCE DETENT PLUNGER RG 80.000 N	
107	SPRING FORCE MULTI STOP RG 76.000 N	
108	SWITCH, REVERSE GEAR y	
109	DESIGN, RG (REV.GEAR) SWITCH CLOSING	
110	DESIGN, CONNECTION, RG SWITCH DIN BAYONET	
111	PROT. CAP SWITCH, REVERSE GEAR y	
118	SWITCH, NEUTRAL GEAR y	
119	DESIGN,NG(NEUTRAL GEAR)SWITCH OPENING SWITCH	
120	DESIGN, CONNECTION, NG SWITCH DIN BAYONET	
121	PROT.CAP SWITCH, NEUTRAL GEAR y	
123	VER. TRANSMISSION VENTILATION BREATHER	
125	VERSION PULSE SENSOR SFA H68 WITH	
126	NO. PULSES PULSE SENSOR SFAH68 6.000 IMP/U	
127	PROT. CAP PULSE SENSOR SFA H68 y	
128	DESIG,CONN,PULSE SENS. SFA H68 DIN BAYONET	
131	OIL CAPACITY, GEARBOX 9.300 dm3	
132	OIL FILL VARIANT EX WORKS	
133	OIL GRADE PERMISSIBLE ACC. TO TE-ML02	
134	COLOR JET BLACK	
135	COLOUR CLASSIFICATION ACC. TO RAL 9005	
136	PAINTING, ZF STANDARD 915 W	



Pos.	Information	Amendment number
137	CODING OUTER CONSERVATION KA1	
138	SCOPE OUTER CONSERVATION T	
139	CODING INNER CONSERVATION KI1	
140	CONSERVATION SPECIFICATION ZFN 916	
141	DESIGN, SEPARATING CLUTCH	
142	BUSH VARIANT INPUT SHAFT	
143	DESIGN BEARING OUTPUT	
144	NO.OF BORES OUTPUT FLANGE HA1	
145	NOTE ON SWITCH, REVERSE GEAR	
146	AUSF BETAETIGUNG KUPPLUNG	
147	EINBAUMASS KUPPLUNGSGEHAEUSE mm	
149	NO.OF PULSES PULSE SENSOR SFI H68 IMP/U	
150	DESIGN PULSE SENSOR SFI H68	
151	PROT.CAP PULSE SENSOR SFI H68	
152	DESIG,CONN,PULSE SENS. SFI H68	
155	CODIERUNG STOPFENANZAHL	
156	Documents -----	
157	GEARBOX Assembly 1346.002.008	
158	GEARBOX Drawing 1346.002.008	
159	SET OF SPRINGS Text-document 1346.150.008	
160	TURN.SHAFT CONT Drawing 1346.174.002	
161	TURN.SHAFT CONT Assembly 1346.174.002	
162	6-SPEED GEARBOX Drawing 1346.602.009	
163	TURNING SHAFT CONTROL Drawing 1346.600.024	

Assembly group overview

Material number: 1346.002.062

6 S 1000 TO / KAMAZ PUBLIC JOINT STOCK
COMPANY

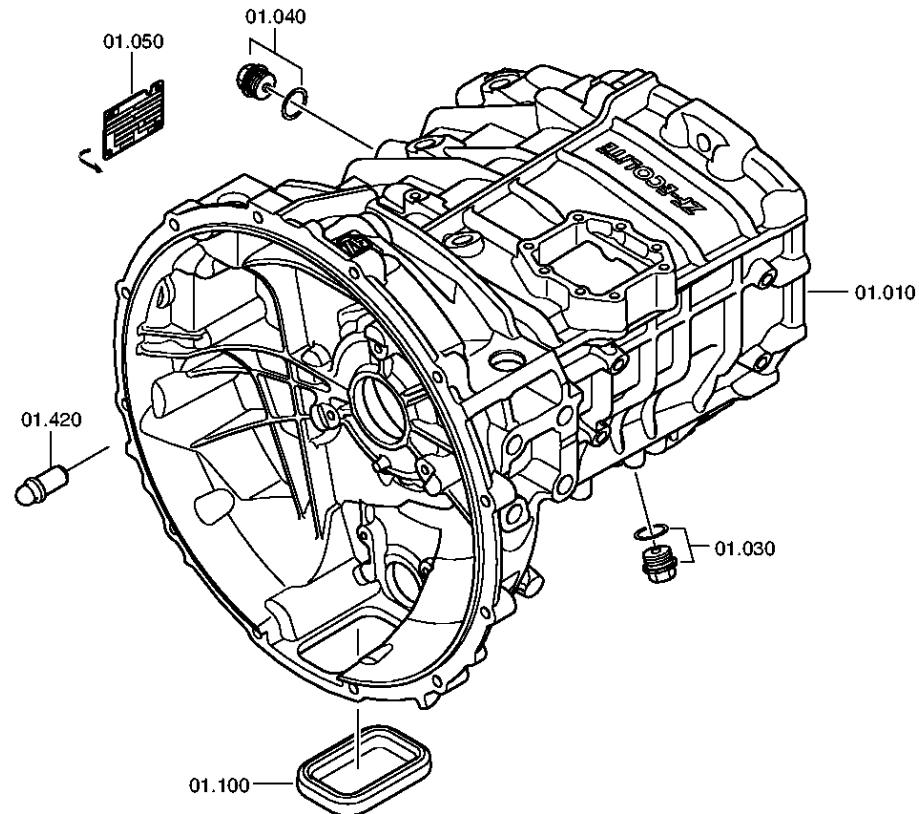


Page 1 from 1

Graphics	Pos.	Material number	Name	Quantity	Amend. no.	Techn. Info.
150.01.08-1	110	1346.101.022	CLUTCH HOUSING	1		
150.01.80-1	120	1346.101.800	OUTPUT HOUSING	1		
150.02.01-1	130	1346.102.008	INPUT SHAFT	1		
150.02.02-1	140	1346.102.007	GUIDE TUBE	1		
150.02.81-1	150	1346.102.801	GUIDE TUBE	1		
150.02.80-1	160	1346.102.800	INPUT SHAFT	1		
150.03.01-1	920	1346.103.001	LAYSHAFT	1		
150.04.80-1	210	1346.104.800	MAIN SHAFT	1		
150.04.01-1	910	1346.104.001	MAIN SHAFT	1		
150.05.01-1	220	1346.105.001	RETURN	1		
150.06.01-1	230	1346.106.003	GEAR SHIFT SYSTEM	1		
150.09.04-1	10	1346.109.006	GEAR SHIFT HOUSING	1		
150.10.01-1	270	1346.174.800	SHIFT TURRET	1		
150.18.01-1	300	1346.108.002	SPEEDOMETER COVER	1		
150.18.80-1	310	1346.108.800	SPEEDOMETER COVER	1		
150.50.06-1	90	1346.150.020	SET OF SPRINGS	1		
150.52.04-1	40	1346.152.002	LEVER	1		
150.55.03-1	30	1346.155.013	GEAR SHIFT SHAFT	1		
150.58.01-1	100	1346.158.004	DETENT	1		
150.59.01-1	80	1346.159.042	SWITCH	1		
150.93.42-1	330	6060.168.009	CLUTCH RELEASE DEVICE	1		



CLUTCH HOUSING



Plant

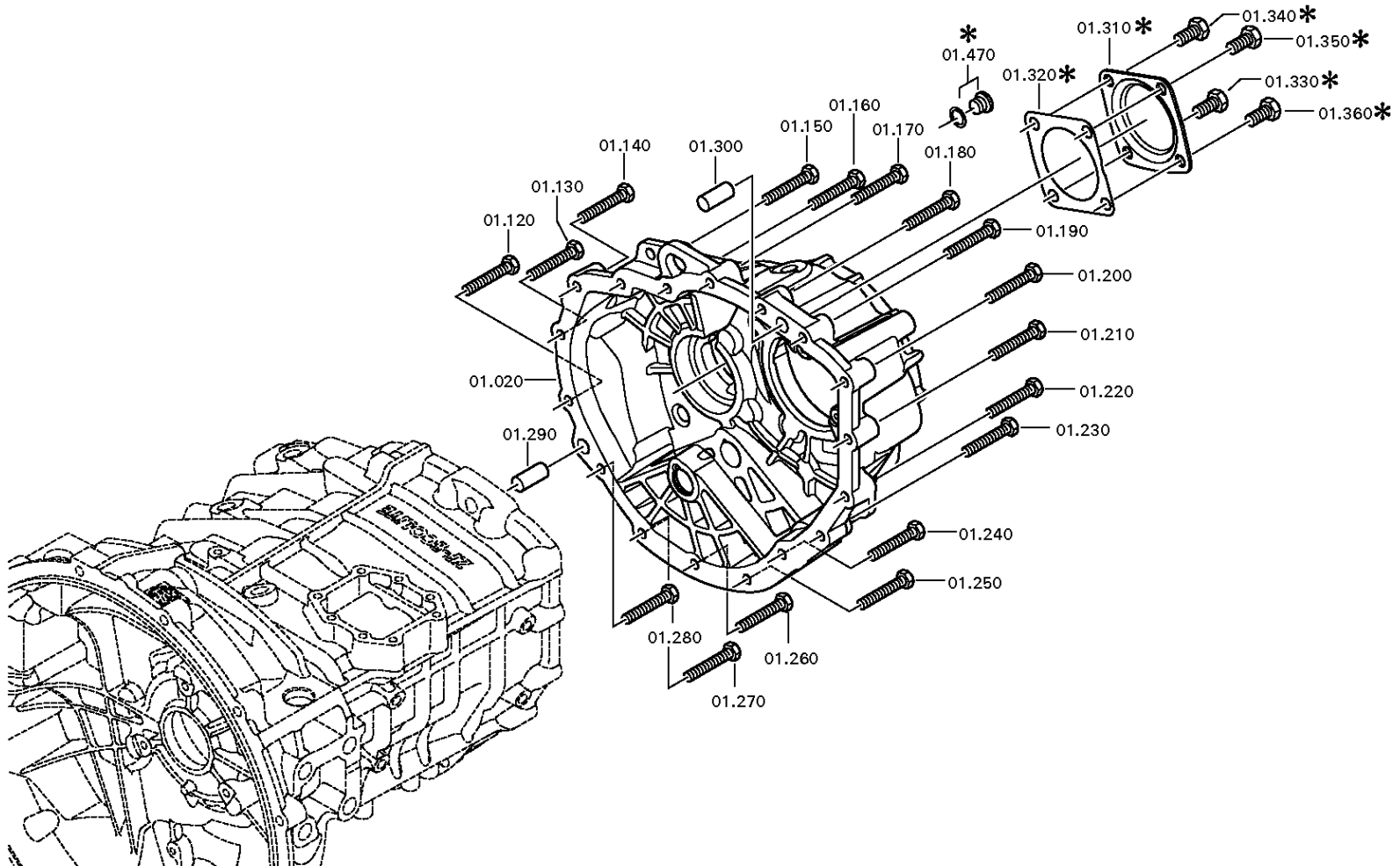
Page 2 from 2

Material number: 1346.002.062
Plant: 150.01.80-1

6 S 1000 TO / KAMAZ PUBLIC JOINT STOCK
COMPANY
CLUTCH HOUSING



CLUTCH HOUSING



Parts list

Page 1 from 2

Material number: 1346.002.062

Plant: 150.01.08-1

Material-assembly-group-no: 1346.101.022

6 S 1000 TO / KAMAZ PUBLIC JOINT STOCK

COMPANY



Pos.	Material number	Customer material	Name	Quantity	ME	Amend. no.	Techn. Info.	Weight	Rep kit	Alternative material
10	1346.301.088		CLUTCH HOUSING	1			E2410, DRUCKGUSS	0,000		
20	1346.301.081		OUTPUT HOUSING	1			E2410	0,000		
30	---		SCREW PLUG	1		Z00010176111	M24X1,5	0,000		
---	0736.300.160		SCREW PLUG	1		Z00010176110	M24X1,5 M24X1,5	0,000		
---	0730.008.637		SEALING RING	1		Z00010176110	A24X29	0,000		
40	---		SCREW PLUG	1		Z00010112111	60N.M*DICHTRING M24X1,5	0,000		
---	0636.304.088		SCREW PLUG	1		Z00010112110	M24X1,5	0,000		
---	0730.008.637		SEALING RING	1		Z00010112110	A24X29	0,000		
50	---		TYPE PLATE	1			UNGARN/BRASILLEN	0,000		
---	0730.365.259		TYPE PLATE	1			EINHEITSSCH. VERDREHSICHER	0,000		
100	1315.301.230		PROTECTION CAP	1				0,000		
120	0636.016.405		HEXAGON BOLT	1		Z00007060114	M10X60	0,000		
130	0636.016.405		HEXAGON BOLT	1		Z00007060114	M10X60	0,000		
140	0636.016.405		HEXAGON BOLT	1		Z00007060114	M10X60	0,000		
150	0636.016.405		HEXAGON BOLT	1		Z00007060114	M10X60	0,000		
160	0636.016.405		HEXAGON BOLT	1		Z00007060114	M10X60	0,000		
170	0636.016.405		HEXAGON BOLT	1		Z00007060114	M10X60	0,000		
180	0636.016.405		HEXAGON BOLT	1		Z00007060114	M10X60	0,000		
190	0636.016.405		HEXAGON BOLT	1		Z00007060114	M10X60	0,000		
200	0636.016.405		HEXAGON BOLT	1		Z00007060114	M10X60	0,000		
210	0636.016.405		HEXAGON BOLT	1		Z00007060114	M10X60	0,000		
220	0636.016.405		HEXAGON BOLT	1		Z00007060114	M10X60	0,000		
230	0636.016.405		HEXAGON BOLT	1		Z00007060114	M10X60	0,000		
240	0636.016.405		HEXAGON BOLT	1		Z00007060114	M10X60	0,000		
250	0636.016.405		HEXAGON BOLT	1		Z00007060114	M10X60	0,000		
260	0636.016.405		HEXAGON BOLT	1		Z00007060114	M10X60	0,000		
270	0636.016.405		HEXAGON BOLT	1		Z00007060114	M10X60	0,000		
280	0636.016.405		HEXAGON BOLT	1		Z00007060114	M10X60	0,000		
290	0631.306.229		CYLINDRICAL PIN	1			16X36	0,000		

Parts list

Page 2 from 2

Material number: 1346.002.062

Plant: 150.01.08-1

Material-assembly-group-no: 1346.101.022

6 S 1000 TO / KAMAZ PUBLIC JOINT STOCK

COMPANY



Pos.	Material number	Customer material	Name	Quantity	ME	Amend. no.	Techn. Info.	Weight	Rep kit	Alternative material
300	0631.306.229		CYLINDRICAL PIN	1			16X36	0,000		
310	1328.301.170		COVER	1		Z00008068010		0,000		
320	1238.308.201		GASKET	1			ENTHALT.IN 1238 308 202(2)	0,000		
330	0636.016.406		HEXAGON BOLT	1		Z00007061014	M12X25	0,000		
340	0636.016.406		HEXAGON BOLT	1		Z00007061014	M12X25	0,000		
350	0636.016.406		HEXAGON BOLT	1		Z00007061014	M12X25	0,000		
360	0636.016.406		HEXAGON BOLT	1		Z00007061014	M12X25	0,000		
420	6060.368.075		BALL PIN	1				0,000		
470	---		SCREW PLUG	1		Z00010111613	15N.M*DICHTRING M10X1	0,000		
---	0636.100.793		SCREW PLUG	1		Z00010111619	M10X1	0,000		
---	0634.801.013		SEALING RING	1		Z00010111619	10X14	0,001		

Plant

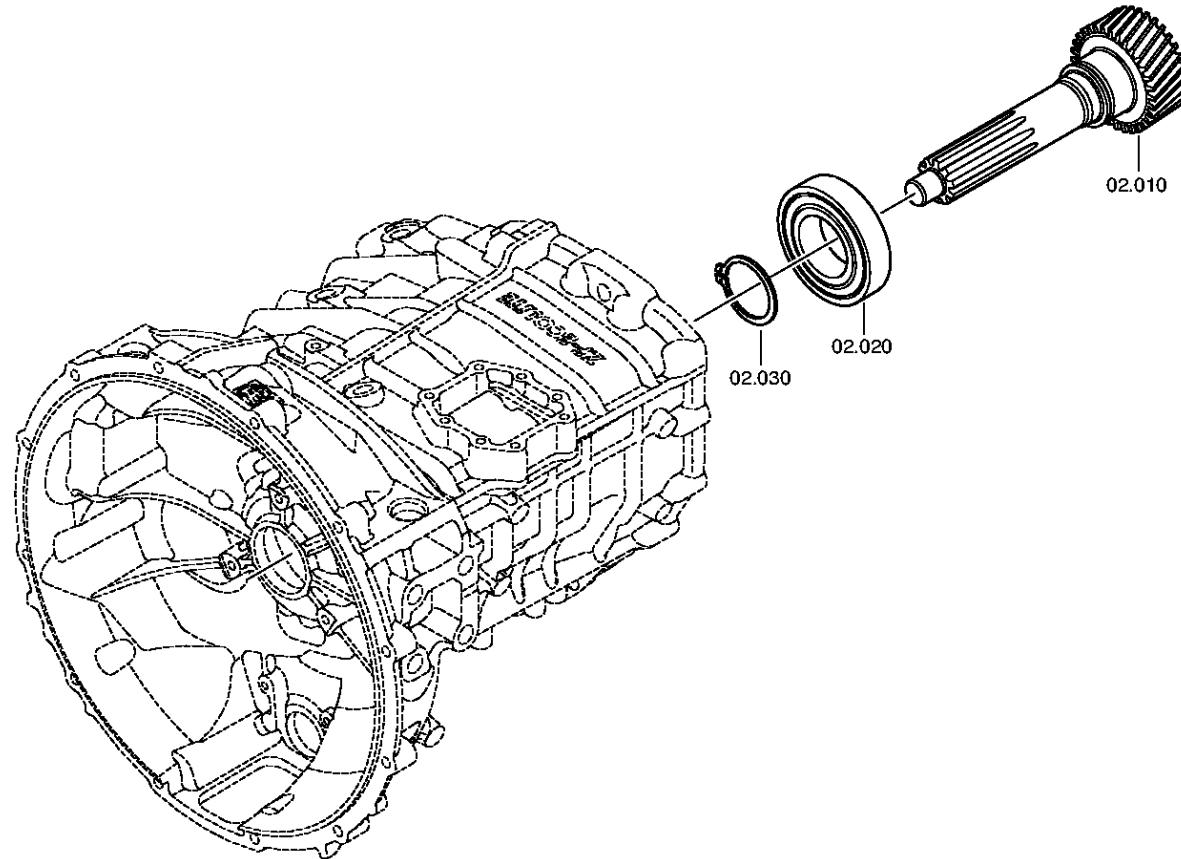
Page 1 from 4

Material number: 1346.002.062
Plant: 150.02.01-1

6 S 1000 TO / KAMAZ PUBLIC JOINT STOCK
COMPANY
INPUT SHAFT



INPUT SHAFT



Plant

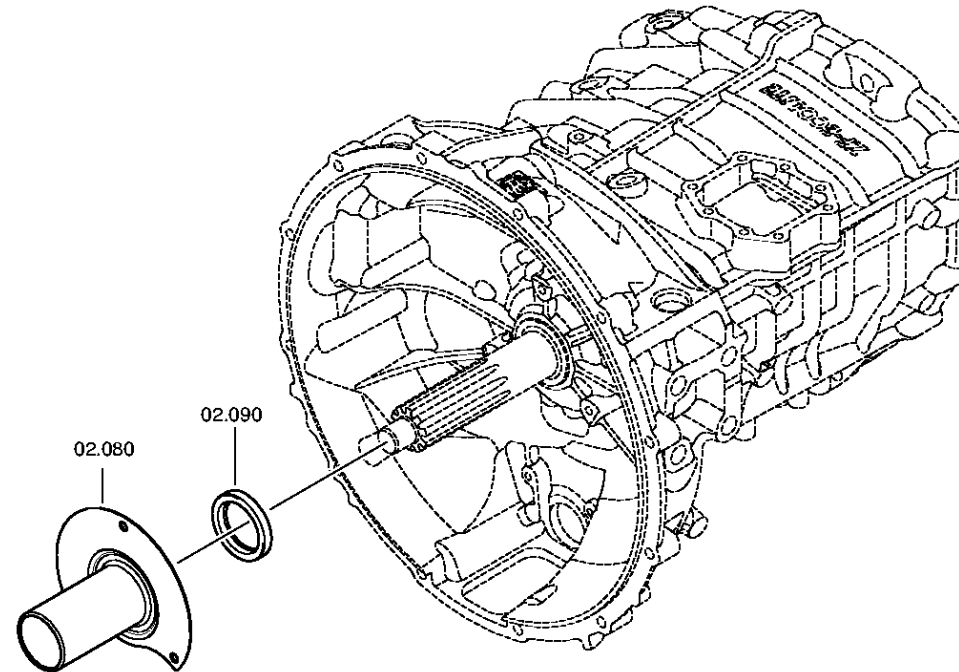
Page 2 from 4

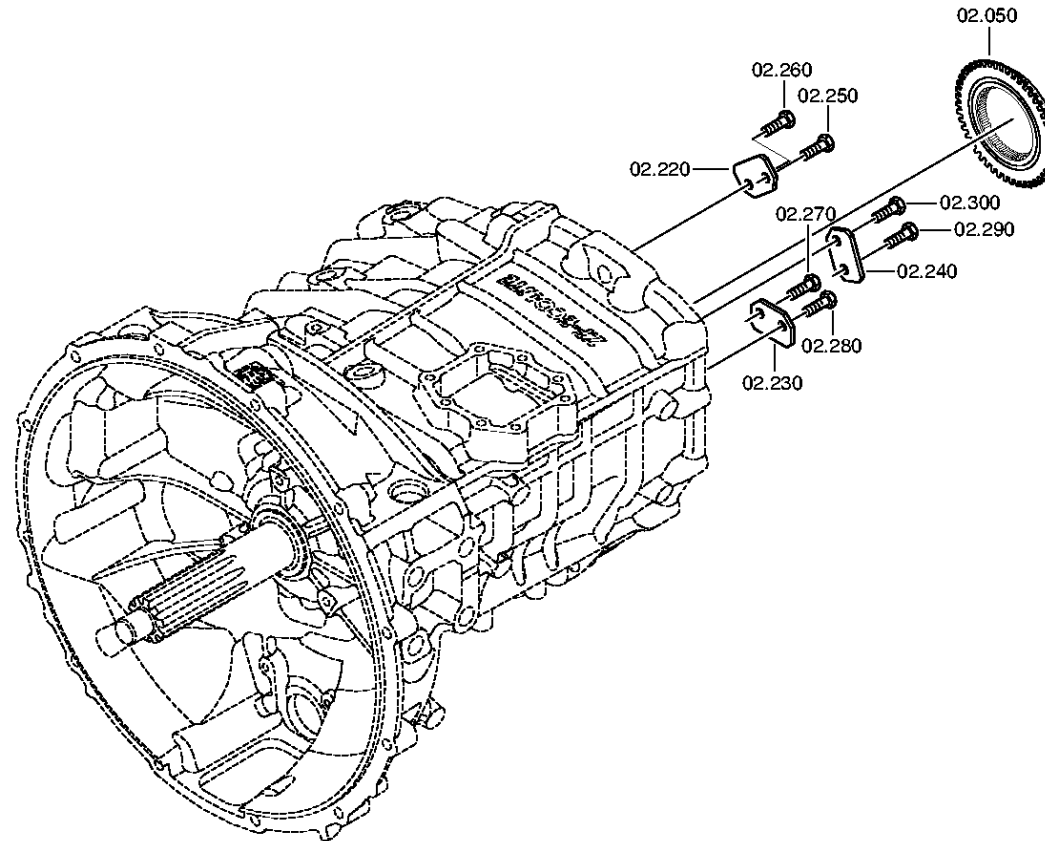
Material number: 1346.002.062
Plant: 150.02.02-1

6 S 1000 TO / KAMAZ PUBLIC JOINT STOCK
COMPANY
INPUT SHAFT



INPUT SHAFT





Plant

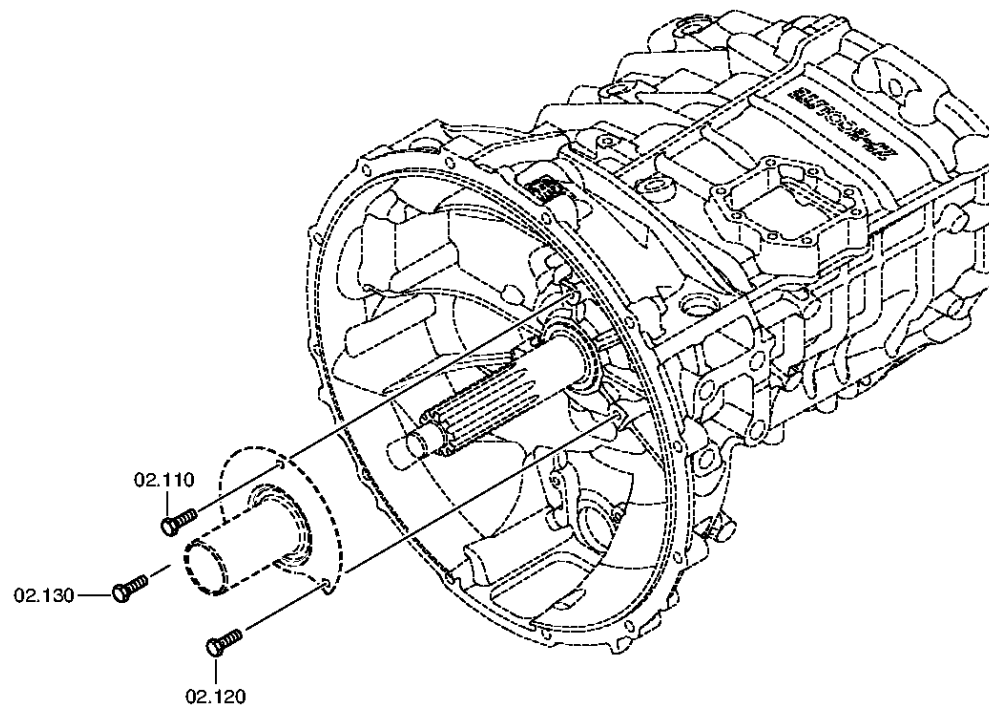
Page 4 from 4

Material number: 1346.002.062
Plant: 150.02.81-1

6 S 1000 TO / KAMAZ PUBLIC JOINT STOCK
COMPANY
INPUT SHAFT



INPUT SHAFT



Parts list

Page 1 from 1

Material number: 1346.002.062

Plant: 150.02.01-1

Material-assembly-group-no: 1346.102.008

6 S 1000 TO / KAMAZ PUBLIC JOINT STOCK

COMPANY



Pos.	Material number	Customer material	Name	Quantity	ME	Amend. no.	Techn. Info.	Weight	Rep kit	Alternative material
10	1346.302.047		INPUT SHAFT	1			E2410	0,000		
20	0735.330.801		BALL BEARING	1			60,0X130,0X31,0 FA.SKF	0,000		
30	0630.531.076		RETAINING RING	1			60X3	0,020		
50	1346.304.047		CLUTCH BODY	1			E2410	0,000		
80	1346.302.078		GUIDE TUBE	1		C01009451E10		0,000		
90	---		SHAFT SEAL	1			48X65X7	0,000		
---	0734.319.782		SHAFT SEAL	1			48X65X7 FA.CFW	0,000		
---	0750.199.019		GREASE	1			KLASSE A	0,000		
110	0636.016.401		HEXAGON BOLT	1			M8X25	0,000		
120	0636.016.401		HEXAGON BOLT	1			M8X25	0,000		
130	0636.016.401		HEXAGON BOLT	1			M8X25	0,000		
220	1290.312.111		TAB WASHER	1			ENTHALT.IN 1290 312 113(2)	0,000		
230	1290.312.111		TAB WASHER	1			ENTHALT.IN 1290 312 113(2)	0,000		
240	1290.312.111		TAB WASHER	1			ENTHALT.IN 1290 312 113(2)	0,000		
250	0636.016.401		HEXAGON BOLT	1			M8X25	0,000		
260	0636.016.401		HEXAGON BOLT	1			M8X25	0,000		
270	0636.016.401		HEXAGON BOLT	1			M8X25	0,000		
280	0636.016.401		HEXAGON BOLT	1			M8X25	0,000		
290	0636.016.401		HEXAGON BOLT	1			M8X25	0,000		
300	0636.016.401		HEXAGON BOLT	1			M8X25	0,000		

Plant

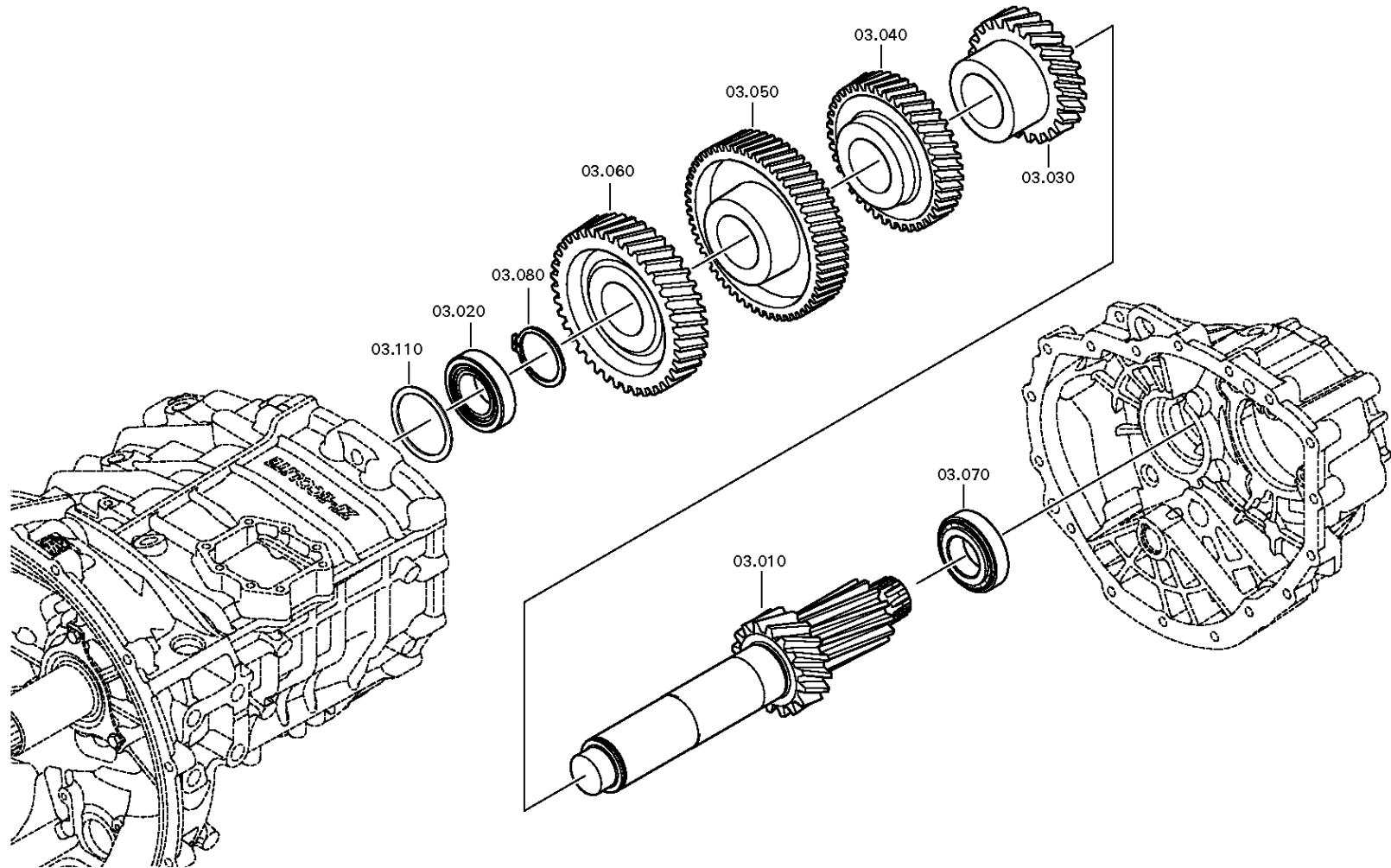
Page 1 from 1

Material number: 1346.002.062
Plant: 150.03.01-1

6 S 1000 TO / KAMAZ PUBLIC JOINT STOCK
COMPANY
LAYSHAFT



Material-assembly-group-no: 1346.103.001



Parts list

Page 1 from 2

Material number: 1346.002.062

Plant: 150.03.01-1

Material-assembly-group-no: 1346.103.001

6 S 1000 TO / KAMAZ PUBLIC JOINT STOCK

COMPANY



Pos.	Material number	Customer material	Name	Quantity	ME	Amend. no.	Techn. Info.	Weight	Rep kit	Alternative material
10	1346.203.001		LAYSHAFT	1		C01008490E10	KPL.6S1000TO	0,000		
/10	1346.303.064		LAYSHAFT	1			E2410	0,000		
/20	1250.303.095		THRUST RING	1				0,000		
20	0735.371.994		TAROLLBEARING	1			45,000X85,000X32,000	0,000		
30	1346.303.046		HELICAL GEAR	1		C01008284E10	E2410 G3	0,000		
40	1346.303.040		HELICAL GEAR	1			E2410 G4	0,000		
50	1346.303.039		HELICAL GEAR	1			E2410 G6 OD/ KO DD	0,000		
60	1346.303.038		HELICAL GEAR	1			E2410 KO OD / G5 DD	0,000		
70	0735.372.217		TAROLLBEARING	1			45,0X85,0X24,7 FA.SKF	0,000		
80	0630.531.076		RETAINING RING	1			60X3	0,020		
110	---		SHIM	1		C01008652E10	H= 1,10- 2,05(ABSTUFUNG:0,05MM)	0,000		
---	0730.004.731		SHIM	1			A=2,05	0,000		
---	0730.002.934		SHIM	1		C01003926F10	A=2,00	0,000		
---	0730.003.435		SHIM	1			A=1,95	0,000		
---	0730.002.935		SHIM	1		C01003926F10	A=1,90	0,000		
---	0730.003.434		SHIM	1			A=1,85	0,000		
---	0730.002.936		SHIM	1		C01003926F10	A=1,80	0,000		
---	0730.003.433		SHIM	1			A=1,75	0,000		
---	0730.002.937		SHIM	1		C01003926F10	A=1,70	0,000		
---	0730.003.432		SHIM	1			A=1,65	0,000		
---	0730.002.938		SHIM	1		C01003926F10	A=1,60	0,000		
---	0730.003.431		SHIM	1			A=1,55	0,000		
---	0730.002.939		SHIM	1		C01003926F10	A=1,50	0,000		
---	0730.003.430		SHIM	1			A=1,45	0,000		
---	0730.002.940		SHIM	1		C01003926F10	A=1,40	0,000		
---	0730.003.429		SHIM	1			A=1,35	0,000		
---	0730.002.941		SHIM	1		C01003926F10	A=1,30	0,000		
---	0730.004.706		SHIM	1			A=1,25	0,000		
---	0730.002.942		SHIM	1		C01003926F10	A=1,20	0,000		
---	0730.004.705		SHIM	1			A=1,15	0,000		

Parts list

Page 2 from 2

Material number: 1346.002.062

Plant: 150.03.01-1

Material-assembly-group-no: 1346.103.001

6 S 1000 TO / KAMAZ PUBLIC JOINT STOCK

COMPANY



Pos.	Material number	Customer material	Name	Quantity	ME	Amend. no.	Techn. Info.	Weight	Rep kit	Alternative material
---	0730.002.943		SHIM	1		C01003926F10	A=1,10	0,000		

Plant

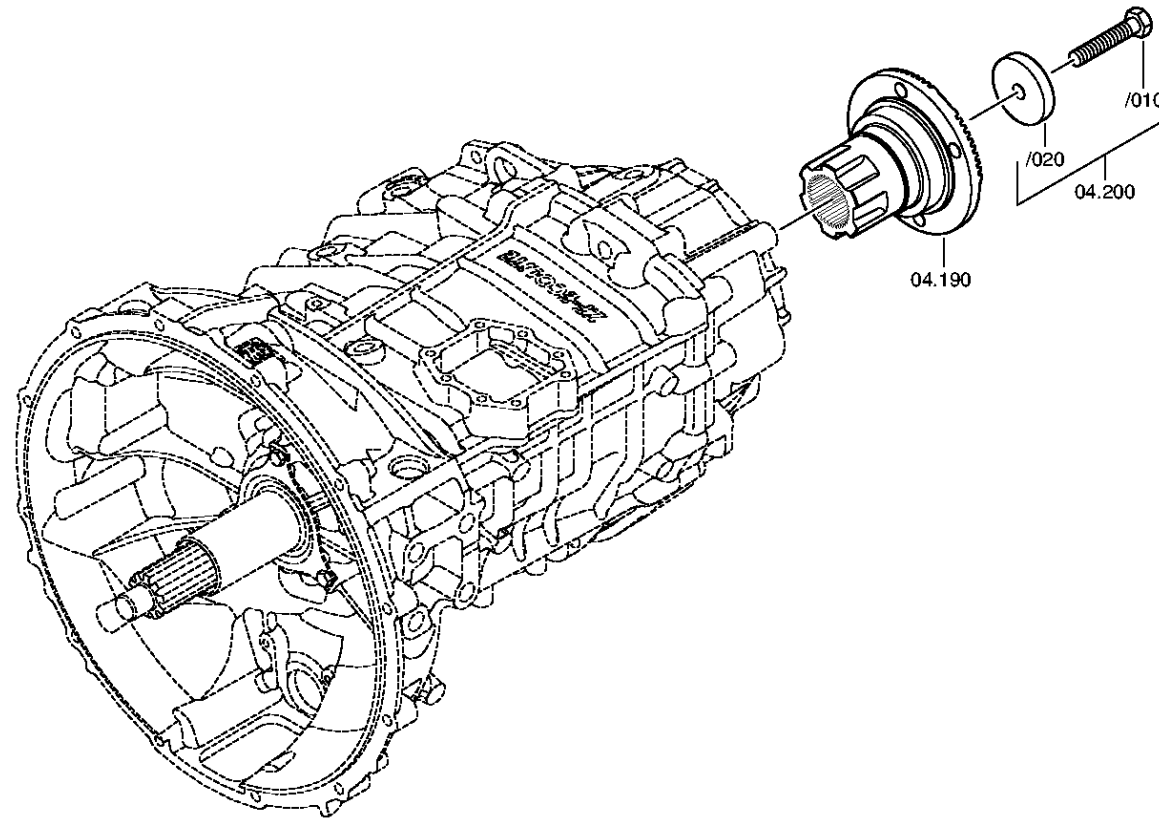
Page 1 from 3

Material number: 1346.002.062
Plant: 150.04.80-1

6 S 1000 TO / KAMAZ PUBLIC JOINT STOCK
COMPANY
MAIN SHAFT

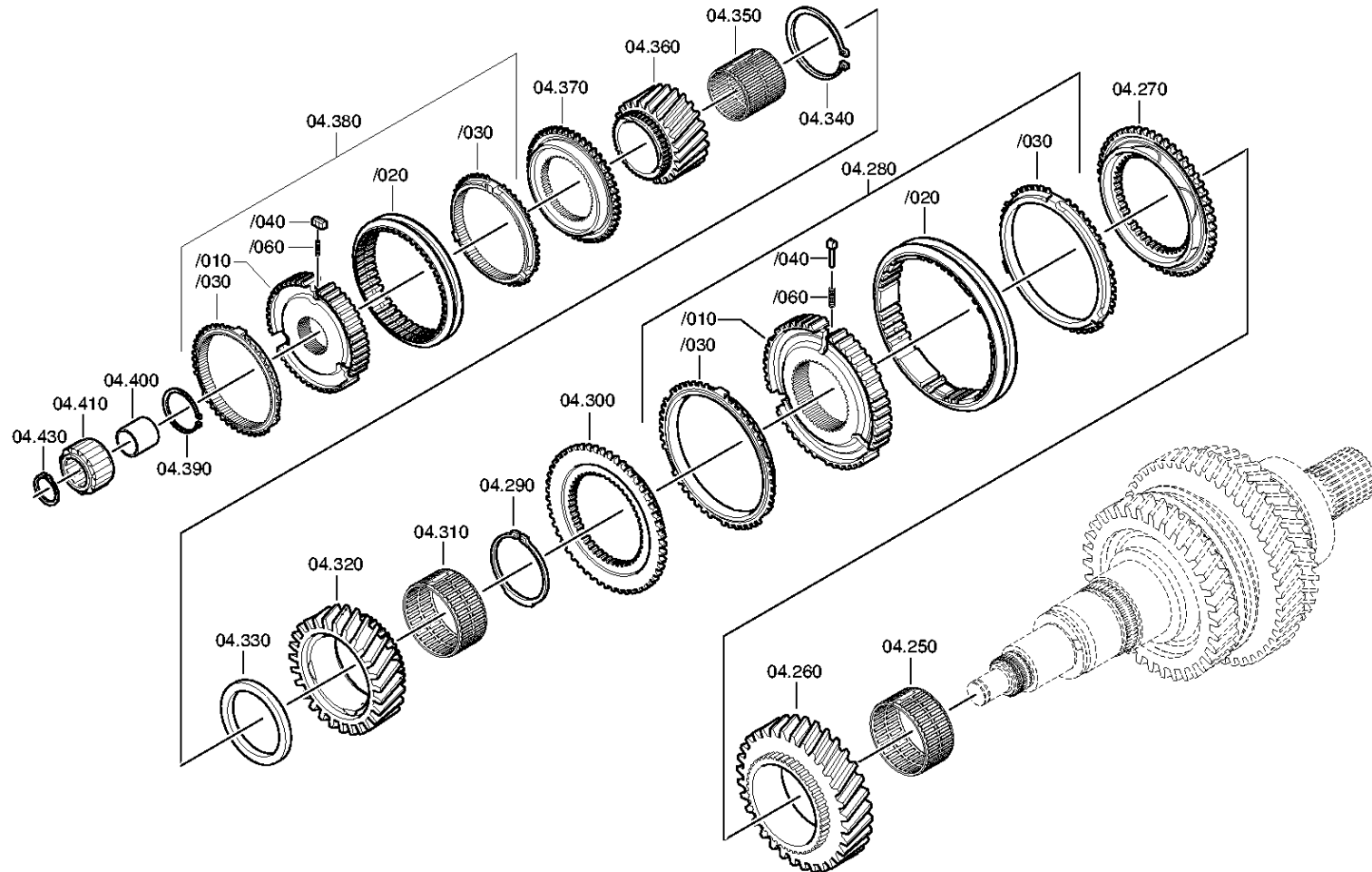


MAIN SHAFT



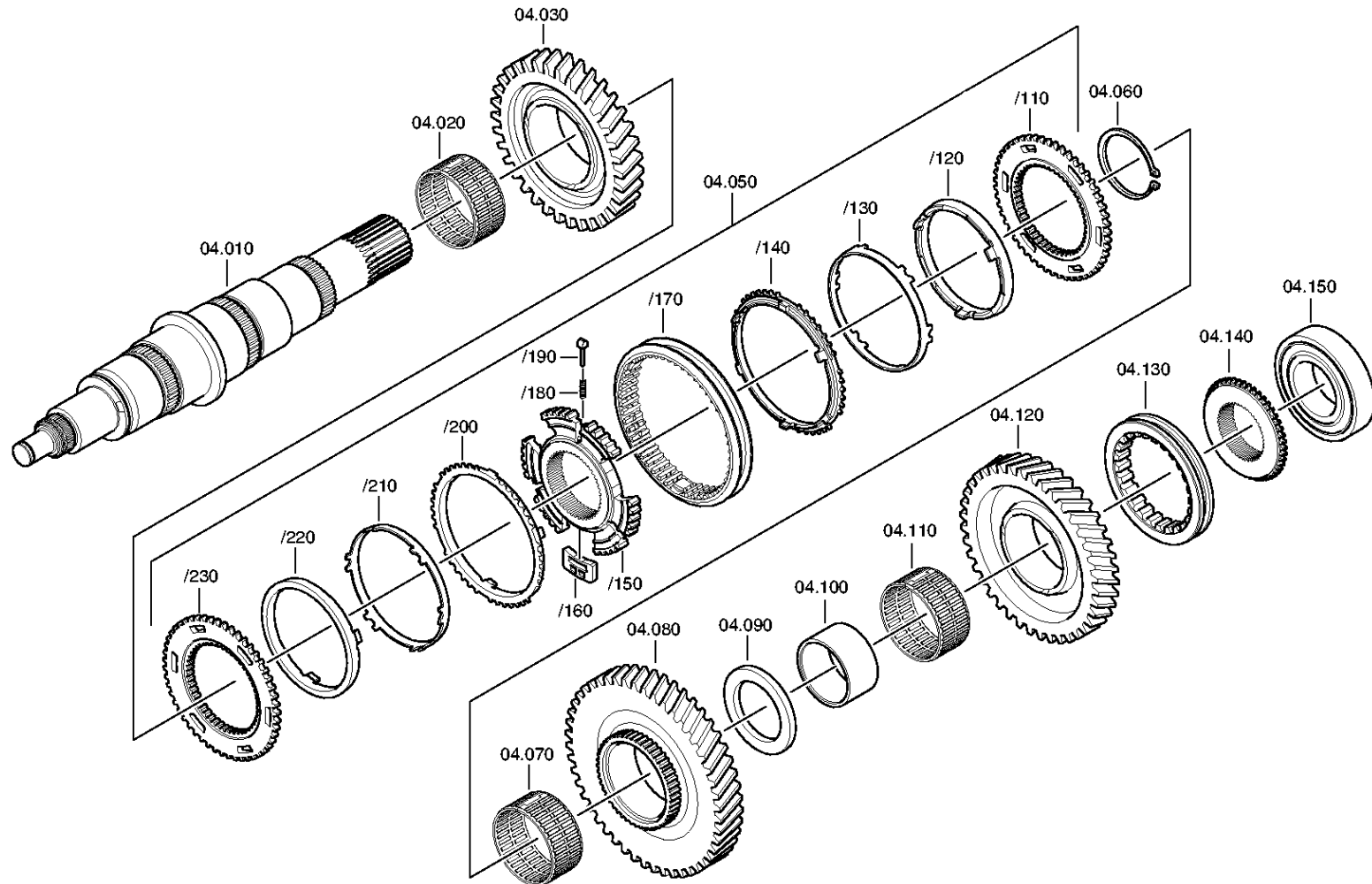


MAIN SHAFT





MAIN SHAFT



Parts list

Page 1 from 3

Material number: 1346.002.062

Plant: 150.04.80-1

Material-assembly-group-no: 1346.104.800

6 S 1000 TO / KAMAZ PUBLIC JOINT STOCK

COMPANY



Pos.	Material number	Customer material	Name	Quantity	ME	Amend. no.	Techn. Info.	Weight	Rep kit	Alternative material
10	1346.304.107		MAIN SHAFT	1			E2410	0,000		
20	0750.115.567		NEEDLE CAGE	1			E2408 80,0X88,0X41,8	0,000		
30	1346.304.054		HELICAL GEAR	1			E2410 G2	0,000		
50	1346.204.001		SYNCHRONIZER	1			KPL.ZF-D*D=135/128 7,5	0,000		
/110	1346.304.092		CLUTCH DISC	1		C01004444E10	ZF-D 135/128	0,000		
/120	---		INNER RING	1		C01004398F10	D135/128	0,000		
---	1346.304.039		INNER RING	1				0,000		
---	1346.304.032		INNER RING	1			ZF-D135/128 7.5GR	0,000		
/130	1346.304.038		INTERMRING	1			ZF-D135/128 MO-MASS 7.5GR	0,000		
/140	1346.304.033		OUTER RING	1			ZF-D135/128 7.5GR	0,000		
/150	1346.304.091		SYNCHROBODY	1		C01004422E10	ZF-D 135/128	0,000		
/160	1312.304.159		COUPLING ELEMENT	3				0,030		
/170	6002.305.994		SLIDING SLEEVE	1				0,000		
/180	0732.040.409		COMPRSPRING	3				0,002		
/190	1297.304.436		PRESSURE PIECE	3				0,004		
/200	1346.304.033		OUTER RING	1			ZF-D135/128 7.5GR	0,000		
/210	1346.304.038		INTERMRING	1			ZF-D135/128 MO-MASS 7.5GR	0,000		
/220	---		INNER RING	1		C01004398F10	D135/128	0,000		
---	1346.304.039		INNER RING	1				0,000		
---	1346.304.032		INNER RING	1			ZF-D135/128 7.5GR	0,000		
/230	1346.304.092		CLUTCH DISC	1		C01004444E10	ZF-D 135/128	0,000		
60	0730.300.991		SNAP RING	1			75X4 75X4	0,000		
70	0735.321.529		NEEDLE CAGE	1			75,0X83,0X40,0 FA.INA	0,000		
80	1346.304.125		HELICAL GEAR	1		C01001213F10	E2410 G1	0,000		
90	0501.322.939		THRUST WASHER	1				0,000		
100	0735.295.239		INNER RING	1			66,0X40,0X75,0 FA.INA	0,000		
110	0735.321.529		NEEDLE CAGE	1			75,0X83,0X40,0 FA.INA	0,000		
120	1346.304.167		HELICAL GEAR	1			E2410 RG KLAUE	0,000		

Parts list

Page 2 from 3

Material number: 1346.002.062

Plant: 150.04.80-1

Material-assembly-group-no: 1346.104.800

6 S 1000 TO / KAMAZ PUBLIC JOINT STOCK

COMPANY



Pos.	Material number	Customer material	Name	Quantity	ME	Amend. no.	Techn. Info.	Weight	Rep kit	Alternative material
130	1308.304.087		SLIDING SLEEVE	1			RG-KLAUE	0,000		
140	1346.304.177		CLUTCH BODY	1		Z00004322210	RG-KLAUE E2410/ E2408	0,000		
150	0735.330.799		BALL BEARING	1			55,0X120,0X29,0 FA.SKF	0,000		
190	1346.304.086		OUTPUT FLANGE	1			E2410/E2408 , D=155MM	0,000		
200	---		HEXAGON BOLT	1			FLANSCHBEFESTIGUN G*E24 M14X1,5X75	0,000		
---	0636.100.541		HEXAGON BOLT	1		Z00007284710	M14X1,5X75	0,000		
---	0730.113.920		WASHER	1			A=14,00 ABTR.FLANSCH	0,000		
250	0750.115.567		NEEDLE CAGE	1			E2408 80,0X88,0X41,8	0,000		
260	1346.304.136		HELICAL GEAR	1			E2410 G3	0,000		
270	1346.304.094		CLUTCH BODY	1		C01004429E10	ENTHALT.IN 1310 304 160(1)	0,000		
280	1346.204.005		SYNCHRONIZER	1			KPL.ZF*BK131*3/4GG	0,000		
/10	1346.304.025		SYNCHROBODY	1				0,000		
/20	1310.304.195		SLIDING SLEEVE	1			ZF-BK131	0,000		
/30	1268.304.594		SYNCHRO RING	2			ZFBK 131	0,000		
/40	1297.304.436		PRESSURE PIECE	3				0,004		
/60	0732.040.409		COMPRSPRING	3				0,002		
290	0730.501.762		RETAINING RING	1				0,000		
300	1346.304.093		CLUTCH BODY	1			ENTHALT.IN 1310 304 160(1)	0,000		
310	0750.115.566		NEEDLE CAGE	1			E2410G4 72,0X80,0X35,8	0,000		
320	1346.304.099		HELICAL GEAR	1			E2410 G4	0,000		
330	0501.323.702		THRUST WASHER	1		C01000150F10	TIMKEN	0,000		
340	0730.300.992		SNAP RING	1			70X4 70X4	0,000		
350	0750.115.565		NEEDLE CAGE	1			E2410 50,0X56,0X53,8	0,000		
360	1346.304.048		HELICAL GEAR	1			E2410 G6 OD	0,000		

Parts list

Page 3 from 3

Material number: 1346.002.062

Plant: 150.04.80-1

Material-assembly-group-no: 1346.104.800

6 S 1000 TO / KAMAZ PUBLIC JOINT STOCK

COMPANY



Pos.	Material number	Customer material	Name	Quantity	ME	Amend. no.	Techn. Info.	Weight	Rep kit	Alternative material
370	1346.304.047		CLUTCH BODY	1			E2410	0,000		
380	1346.204.004		SYNCHRONIZER	1			KPL.ZF*B100III*5/6GG* STAHL	0,000		
/10	1346.304.118		SYNCHROBODY	1		C01002485F10	ZF-B 100 III	0,000		
/20	1333.304.061		SLIDING SLEEVE	1			1/2G	0,000		
/30	1317.304.150		SYNCHRO RING	2				0,000		
/40	1317.304.081		PRESSURE PIECE	3				0,000		
/60	0732.042.510		COMPRSPRING	3				0,000		
390	0630.531.050		RETAINING RING	1			40X2,5	0,010		
400	0735.295.223		INNER RING	1			25,0X30,0X29,0 FA.TIMKEN	0,000		
410	0735.358.346		ROLLER CAGE	1		C01006880E10	30,0X50,0X29,8 FA.TIMKEN	0,000		
430	0630.513.070		SNAP RING	1				0,001		

Plant

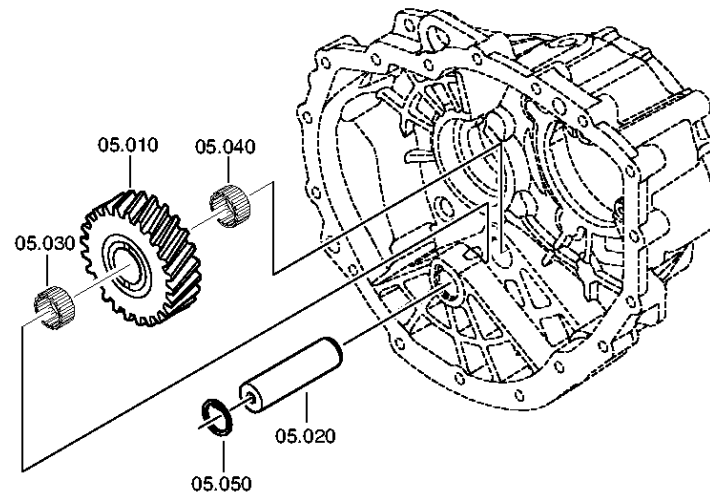
Page 1 from 1

Material number: 1346.002.062
Plant: 150.05.01-1

6 S 1000 TO / KAMAZ PUBLIC JOINT STOCK
COMPANY
RETURN



Material-assembly-group-no: 1346.105.001



Parts list

Page 1 from 1

Material number: 1346.002.062

Plant: 150.05.01-1

Material-assembly-group-no: 1346.105.001

6 S 1000 TO / KAMAZ PUBLIC JOINT STOCK

COMPANY



Pos.	Material number	Customer material	Name	Quantity	ME	Amend. no.	Techn. Info.	Weight	Rep kit	Alternative material
10	1346.305.057		REVERSE IDLER GEAR	1			E2410 RG	0,000		
20	1346.305.039		REVERSE IDLER SHAFT	1		C01004424F10	E24	0,000		
30	0635.300.110		NEEDLE CAGE	1			28X35X18	0,000		
40	0635.300.110		NEEDLE CAGE	1			28X35X18	0,000		
50	0630.502.014		RETAINING RING	1			28X1,2	0,002		

Plant

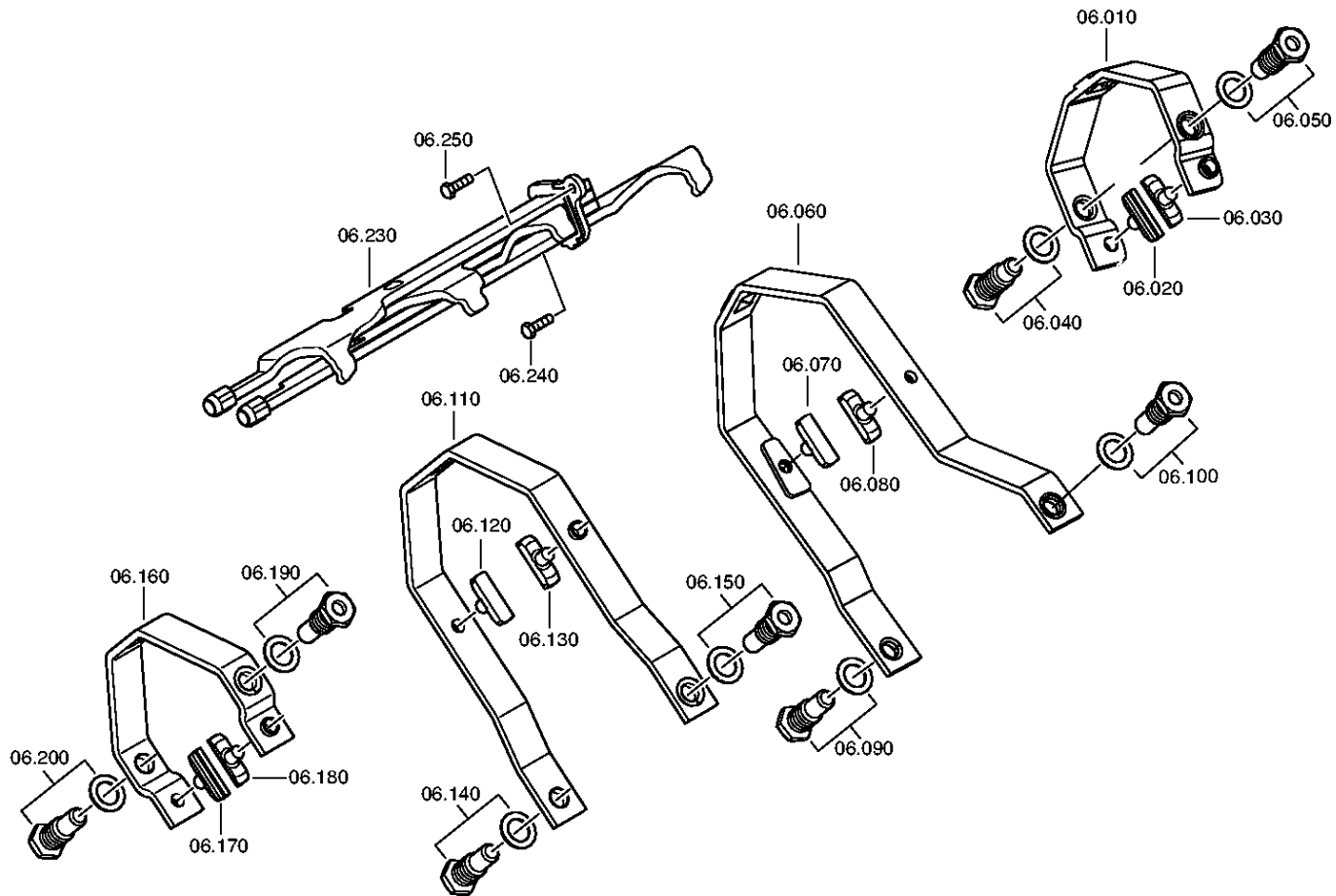
Page 1 from 1

Material number: 1346.002.062
Plant: 150.06.01-1

6 S 1000 TO / KAMAZ PUBLIC JOINT STOCK
COMPANY
GEAR SHIFT SYSTEM



Material-assembly-group-no: 1346.106.003



Parts list

Page 1 from 2

Material number: 1346.002.062

Plant: 150.06.01-1

Material-assembly-group-no: 1346.106.003

6 S 1000 TO / KAMAZ PUBLIC JOINT STOCK

COMPANY



Pos.	Material number	Customer material	Name	Quantity	ME	Amend. no.	Techn. Info.	Weight	Rep kit	Alternative material
10	0501.217.826		GEAR SHIFT FORK	1			KPL. RG KLAUE	0,000		
20	1290.306.423		SLIDING PAD	1			ENTHALT.IN 1290 306 422(2)	0,000		
30	1290.306.423		SLIDING PAD	1			ENTHALT.IN 1290 306 422(2)	0,000		
40	---		ARTICULATION BOLT	1			O.INDUKT- HAERTUNG*LANGES GEWINDE M18X1,5	0,000		
---	1346.306.082		ARTICULATION BOLT	1				0,000		
---	0730.301.379		SPRING WASHER	1		Z00009160711	19X28 19X28	0,000		
50	---		ARTICULATION BOLT	1			O.INDUKT- HAERTUNG*LANGES GEWINDE M18X1,5	0,000		
---	1346.306.082		ARTICULATION BOLT	1				0,000		
---	0730.301.379		SPRING WASHER	1		Z00009160711	19X28 19X28	0,000		
60	0501.217.827		GEAR SHIFT FORK	1			KPL. 1/2	0,000		
70	1290.306.066		SLIDING PAD	1				0,037		
80	1290.306.066		SLIDING PAD	1				0,037		
90	---		ARTICULATION BOLT	1			O.INDUKT-HAERTUNG M18X1,5	0,000		
---	1346.306.088		ARTICULATION BOLT	1		Z00008927610		0,000		
---	0730.301.379		SPRING WASHER	1		Z00009160711	19X28 19X28	0,000		
100	---		ARTICULATION BOLT	1			O.INDUKT-HAERTUNG M18X1,5	0,000		
---	1346.306.088		ARTICULATION BOLT	1		Z00008927610		0,000		
---	0730.301.379		SPRING WASHER	1		Z00009160711	19X28 19X28	0,000		
110	0501.217.828		GEAR SHIFT FORK	1			KPL. 3/4 E2410	0,000		
120	1290.306.066		SLIDING PAD	1				0,037		
130	1290.306.066		SLIDING PAD	1				0,037		
140	---		ARTICULATION BOLT	1			O.INDUKT-HAERTUNG M18X1,5	0,000		
---	1346.306.088		ARTICULATION BOLT	1		Z00008927610		0,000		

Parts list

Page 2 from 2

Material number: 1346.002.062

Plant: 150.06.01-1

Material-assembly-group-no: 1346.106.003

6 S 1000 TO / KAMAZ PUBLIC JOINT STOCK

COMPANY



Pos.	Material number	Customer material	Name	Quantity	ME	Amend. no.	Techn. Info.	Weight	Rep kit	Alternative material
---	0730.301.379		SPRING WASHER	1		Z00009160711	19X28 19X28	0,000		
150	---		ARTICULATION BOLT	1			O.INDUKT-HAERTUNG M18X1,5	0,000		
---	1346.306.088		ARTICULATION BOLT	1		Z00008927610		0,000		
---	0730.301.379		SPRING WASHER	1		Z00009160711	19X28 19X28	0,000		
160	0501.217.830		GEAR SHIFT FORK	1			KPL. 5/6 OD	0,000		
170	1290.306.423		SLIDING PAD	1			ENTHALT.IN 1290 306 422(2)	0,000		
180	1290.306.423		SLIDING PAD	1			ENTHALT.IN 1290 306 422(2)	0,000		
190	---		ARTICULATION BOLT	1			O.INDUKT-HAERTUNG M18X1,5	0,000		
---	1346.306.088		ARTICULATION BOLT	1		Z00008927610		0,000		
---	0730.301.379		SPRING WASHER	1		Z00009160711	19X28 19X28	0,000		
200	---		ARTICULATION BOLT	1			O.INDUKT-HAERTUNG M18X1,5	0,000		
---	1346.306.088		ARTICULATION BOLT	1		Z00008927610		0,000		
---	0730.301.379		SPRING WASHER	1		Z00009160711	19X28 19X28	0,000		
230	0501.217.832		DRAG LINK	1			KPL. E2408/10	0,000		
240	0636.100.613		HEXAGON BOLT	1		Z00007067611	M6X20	0,000		
250	0636.100.613		HEXAGON BOLT	1		Z00007067611	M6X20	0,000		

Plant

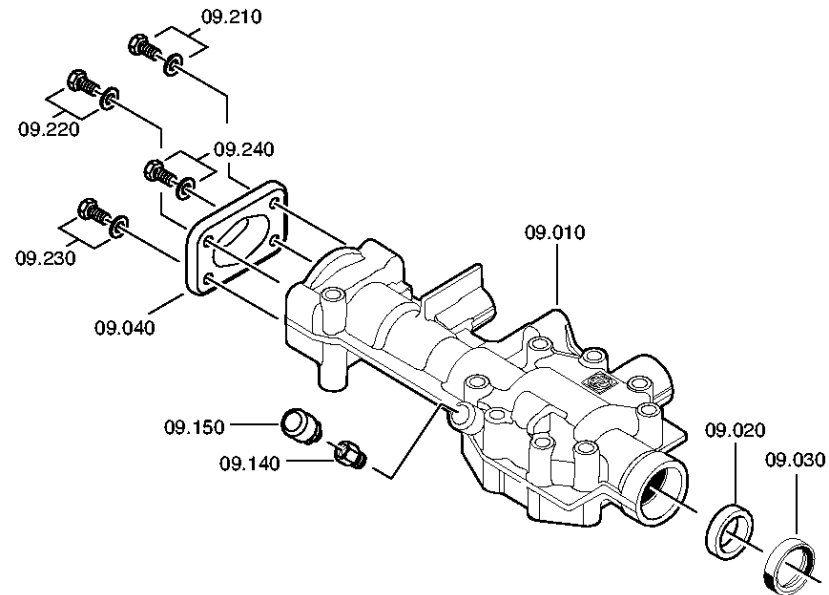
Page 1 from 1

Material number: 1346.002.062
Plant: 150.09.04-1

6 S 1000 TO / KAMAZ PUBLIC JOINT STOCK
COMPANY
GEAR SHIFT HOUSING



Material-assembly-group-no: 1346.109.006



Parts list

Page 1 from 1

Material number: 1346.002.062

Plant: 150.09.04-1

Material-assembly-group-no: 1346.109.006

6 S 1000 TO / KAMAZ PUBLIC JOINT STOCK

COMPANY



Pos.	Material number	Customer material	Name	Quantity	ME	Amend. no.	Techn. Info.	Weight	Rep kit	Alternative material
10	1346.307.044		GEAR SHIFT HOUSING	1		C01008590E10	MGS	0,000		
20	0730.260.703		BUSH	1			A=13,70	0,000		
30	---		SHAFT SEAL	1			28X42X11	0,000		
---	0734.309.765		SHAFT SEAL	1			28X42X11 FA.SKT	0,000		
40	1341.307.113		COVER	1		Z00009271410		0,000		
140	0731.300.041		THREADED BUSH	1		Z00009162110		0,000		
150	---		BREATHER	1				0,000		
---	0501.218.540		BREATHER	1				0,000		
210	---		HEXAGON BOLT	1		Z00007891111	M8X20	0,000		
---	0636.100.796		HEXAGON BOLT	1		Z00007891120	M8X20	0,000		
---	0630.100.295		WASHER	1		Z00007158414		0,000		
220	---		HEXAGON BOLT	1		Z00007891111	M8X20	0,000		
---	0636.100.796		HEXAGON BOLT	1		Z00007891120	M8X20	0,000		
---	0630.100.295		WASHER	1		Z00007158414		0,000		
230	---		HEXAGON BOLT	1		Z00007891111	M8X20	0,000		
---	0636.100.796		HEXAGON BOLT	1		Z00007891120	M8X20	0,000		
---	0630.100.295		WASHER	1		Z00007158414		0,000		
240	---		HEXAGON BOLT	1		Z00007891111	M8X20	0,000		
---	0636.100.796		HEXAGON BOLT	1		Z00007891120	M8X20	0,000		
---	0630.100.295		WASHER	1		Z00007158414		0,000		

Plant

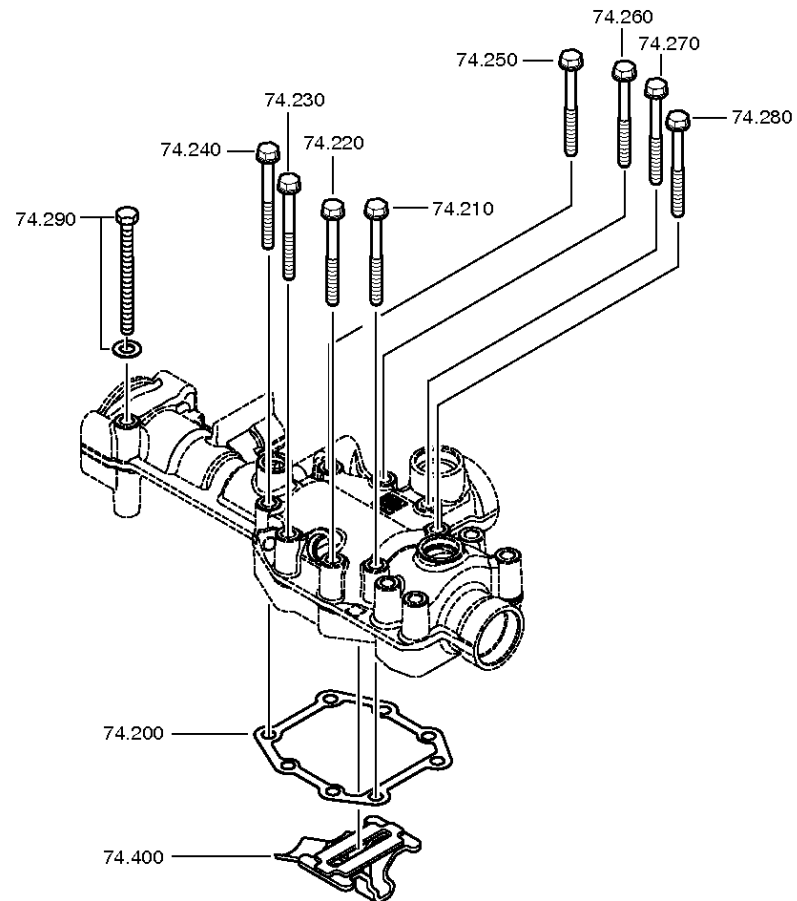
Page 1 from 1

Material number: 1346.002.062
Plant: 150.10.01-1

6 S 1000 TO / KAMAZ PUBLIC JOINT STOCK
COMPANY
SHIFT TURRET



Material-assembly-group-no: 1346.174.800



Parts list

Page 1 from 1

Material number: 1346.002.062

Plant: 150.10.01-1

Material-assembly-group-no: 1346.174.800

6 S 1000 TO / KAMAZ PUBLIC JOINT STOCK

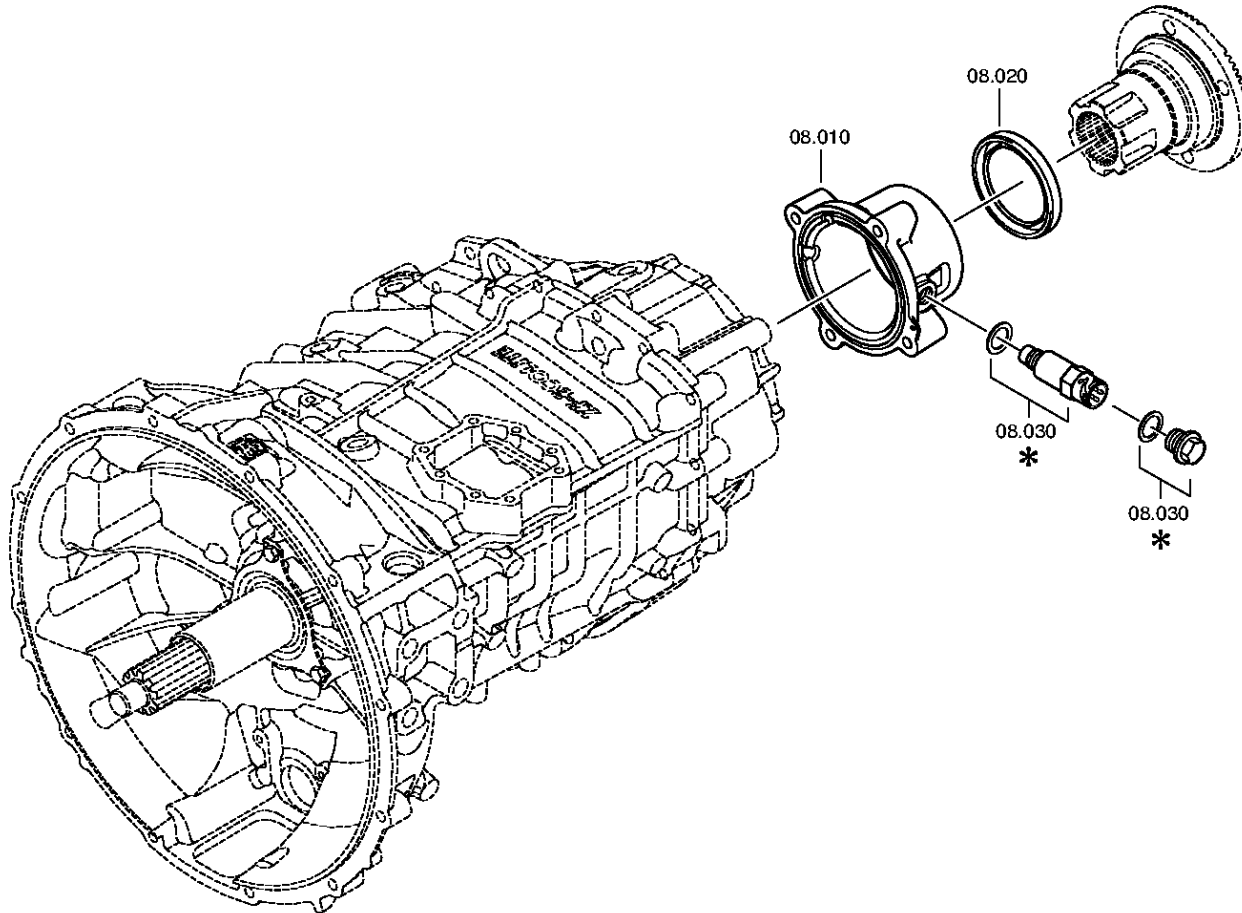
COMPANY



Pos.	Material number	Customer material	Name	Quantity	ME	Amend. no.	Techn. Info.	Weight	Rep kit	Alternative material
200	1346.307.016		GASKET	1			SCHALTGEHAEUSE	0,000		
210	0736.300.137		HEXAGON BOLT	1		Z00009195410	M8X80 M8X80	0,000		
220	0736.300.137		HEXAGON BOLT	1		Z00009195410	M8X80 M8X80	0,000		
230	0736.300.137		HEXAGON BOLT	1		Z00009195410	M8X80 M8X80	0,000		
240	0736.300.137		HEXAGON BOLT	1		Z00009195410	M8X80 M8X80	0,000		
250	0736.300.137		HEXAGON BOLT	1		Z00009195410	M8X80 M8X80	0,000		
260	0736.300.137		HEXAGON BOLT	1		Z00009195410	M8X80 M8X80	0,000		
270	0736.300.137		HEXAGON BOLT	1		Z00009195410	M8X80 M8X80	0,000		
280	0736.300.137		HEXAGON BOLT	1		Z00009195410	M8X80 M8X80	0,000		
290	---		HEXAGON BOLT	1			M8X100	0,000		
---	0636.100.932		HEXAGON BOLT	1		Z00008430010	M8X100	0,000		
---	0630.100.295		WASHER	1		Z00007158414		0,000		
400	1290.207.003		LOCKING PIECE	1			KPL.KLT.CGS 1290+CGS/MGS	0,000		



SPEEDOMETER COVER



Plant

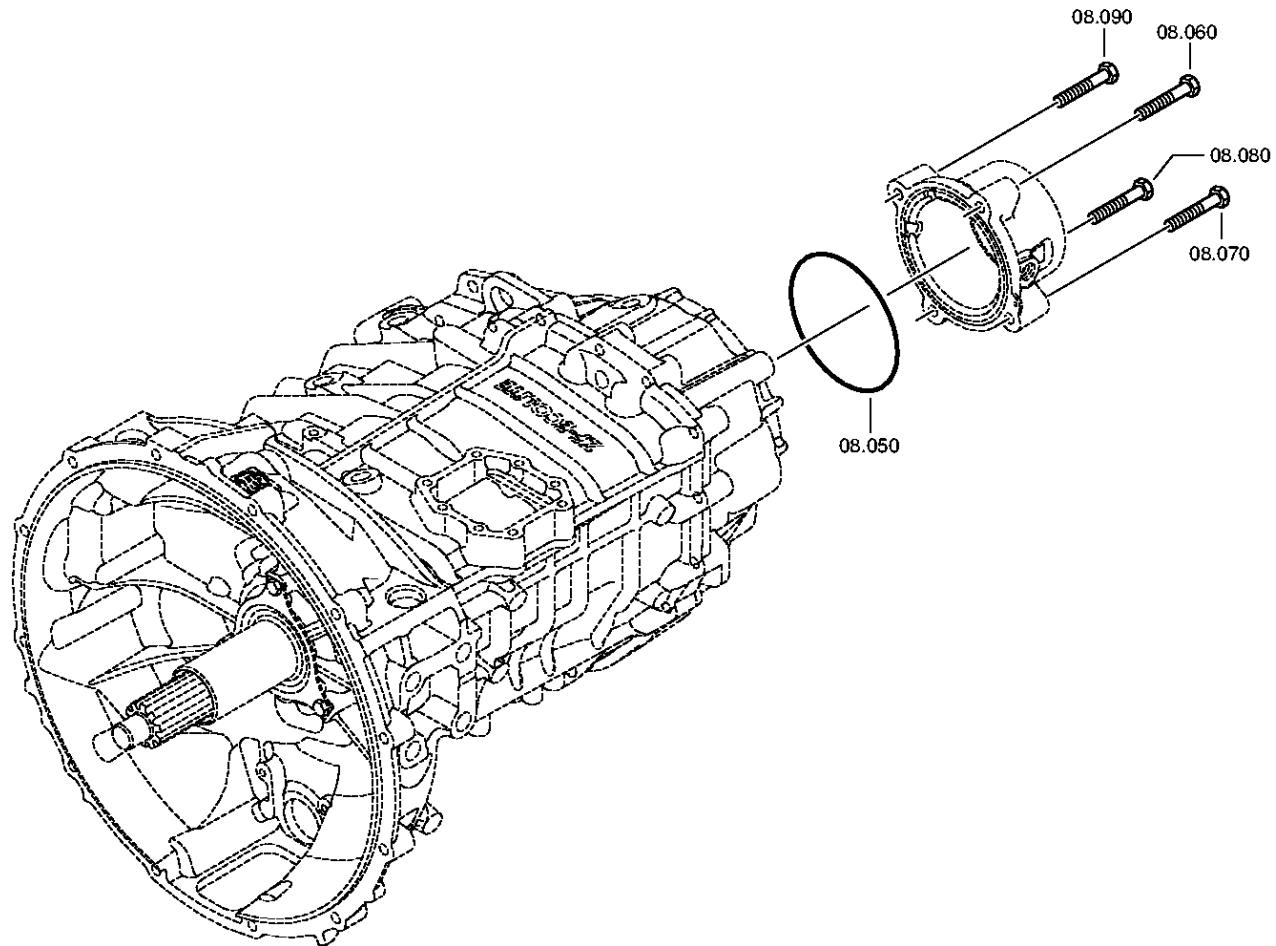
Page 2 from 2

Material number: 1346.002.062
Plant: 150.18.80-1

6 S 1000 TO / KAMAZ PUBLIC JOINT STOCK
COMPANY
SPEEDOMETER COVER



SPEEDOMETER COVER



Parts list

Page 1 from 1

Material number: 1346.002.062

Plant: 150.18.01-1

Material-assembly-group-no: 1346.108.002

6 S 1000 TO / KAMAZ PUBLIC JOINT STOCK

COMPANY



Pos.	Material number	Customer material	Name	Quantity	ME	Amend. no.	Techn. Info.	Weight	Rep kit	Alternative material
10	1346.308.002		SPEEDOMETER COVER	1		C01009936E10	DRUCKGUSS	0,000		
20	---		SHAFT SEAL	1			80X100X10	0,000		
---	0750.111.334		SHAFT SEAL	1			80X100X10	0,000		
30	---		PULSE SENSOR	1			L=25,0*45N.M* O.DICHTRING* SCHUTZKAPPE* BAJONETT	0,000		
---	0501.210.856		PULSE SENSOR	1				0,000		
---	0700.300.427		PROTECTING CAP	1				0,005		
50	0634.306.308		O-RING	1			128X3	4		
52	0750.199.019		GREASE	1		Z00014432610	KLASSE A	0,000		
60	0636.016.405		HEXAGON BOLT	1		Z00007060114	M10X60	0,000		
70	0636.016.405		HEXAGON BOLT	1		Z00007060114	M10X60	0,000		
80	0636.016.405		HEXAGON BOLT	1		Z00007060114	M10X60	0,000		
90	0636.016.405		HEXAGON BOLT	1		Z00007060114	M10X60	0,000		

Plant

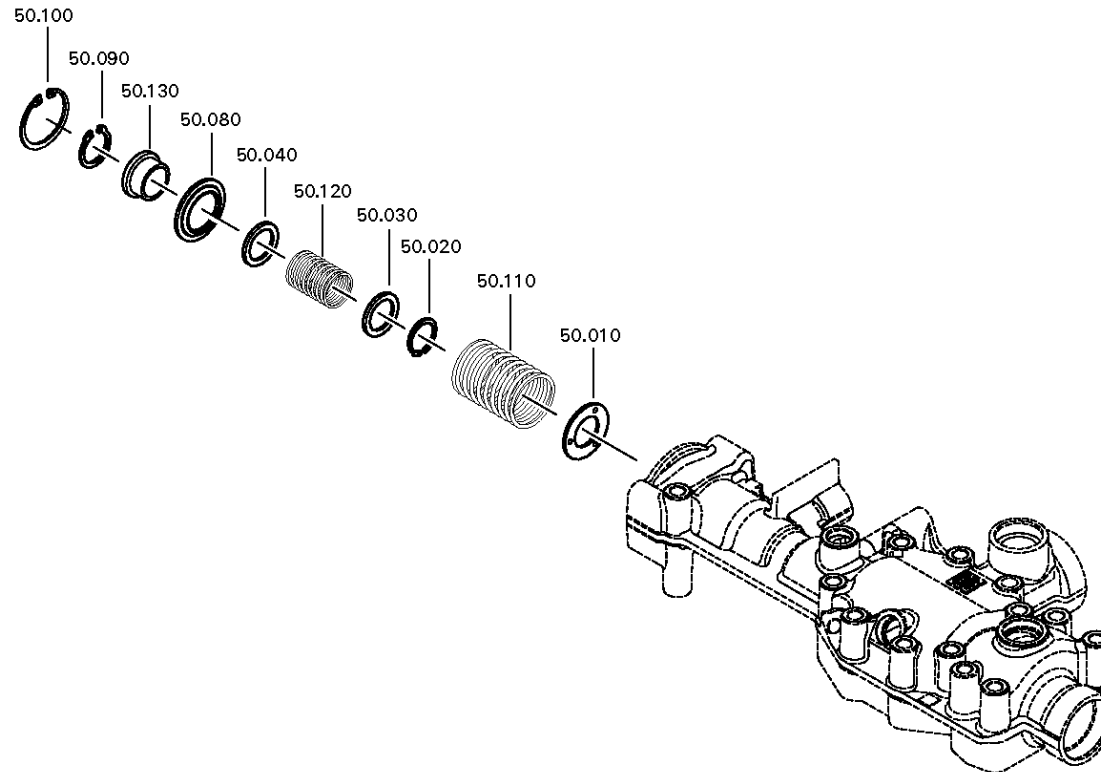
Page 1 from 1

Material number: 1346.002.062
Plant: 150.50.06-1

6 S 1000 TO / KAMAZ PUBLIC JOINT STOCK
COMPANY
SET OF SPRINGS



Material-assembly-group-no: 1346.150.020



Parts list

Page 1 from 1

Material number: 1346.002.062

Plant: 150.50.06-1

Material-assembly-group-no: 1346.150.020

6 S 1000 TO / KAMAZ PUBLIC JOINT STOCK

COMPANY



Pos.	Material number	Customer material	Name	Quantity	ME	Amend. no.	Techn. Info.	Weight	Rep kit	Alternative material
10	0730.301.376		WASHER	1		Z00008917410		0,000		
20	0630.532.138		V-RING	1				0,000		
30	0730.301.374		WASHER	1		Z00008917310	A=2,00 A=2,00	0,000		
40	0730.301.374		WASHER	1		Z00008917310	A=2,00 A=2,00	0,000		
80	0730.301.119		WASHER	1		Z00010197910		0,000		
90	0630.532.138		V-RING	1				0,000		
100	0630.502.022		RETAINING RING	1			40X1,75	4,800		
110	0732.040.765		COMPRSPRING	1				0,000		
120	0732.041.499		COMPRSPRING	1				0,000		
130	1346.307.367		BUSH	1		Z00008929410		0,000		

Plant

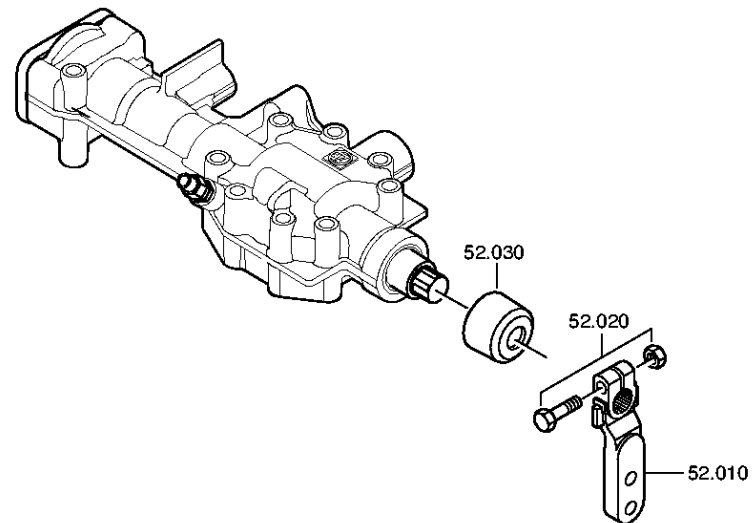
Page 1 from 1

Material number: 1346.002.062
Plant: 150.52.04-1

6 S 1000 TO / KAMAZ PUBLIC JOINT STOCK
COMPANY
LEVER



Material-assembly-group-no: 1346.152.002



Parts list

Page 1 from 1

Material number: 1346.002.062

Plant: 150.52.04-1

Material-assembly-group-no: 1346.152.002

6 S 1000 TO / KAMAZ PUBLIC JOINT STOCK

COMPANY



Pos.	Material number	Customer material	Name	Quantity	ME	Amend. no.	Techn. Info.	Weight	Rep kit	Alternative material
10	1346.307.354		GEAR SHIFT LEVER	1			U568	0,000		
20	---		BOLT+NUT	1		Z00012297710	M10X65	0,000		
---	0636.100.713		HEXAGON BOLT	1		Z00007890810	M10X65	0,000		
---	0637.100.419		HEXAGON NUT	1		Z00007892710	M10	0,000		
30	0501.326.388		PROTECTING CAP	1			SCHALTWELLE F.6- GANG GETRIEBE	0,000		

Plant

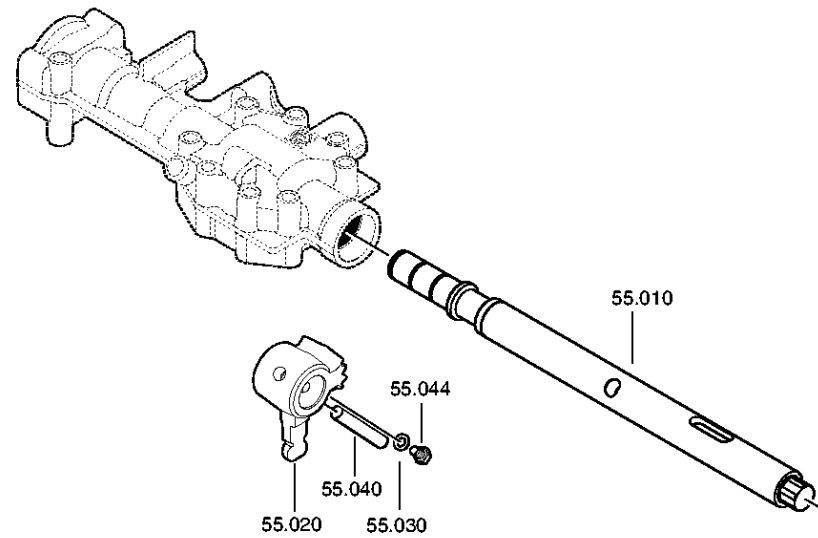
Page 1 from 1

Material number: 1346.002.062
Plant: 150.55.03-1

6 S 1000 TO / KAMAZ PUBLIC JOINT STOCK
COMPANY
GEAR SHIFT SHAFT



Material-assembly-group-no: 1346.155.013



Parts list

Page 1 from 1

Material number: 1346.002.062

Plant: 150.55.03-1

Material-assembly-group-no: 1346.155.013

6 S 1000 TO / KAMAZ PUBLIC JOINT STOCK

COMPANY



Pos.	Material number	Customer material	Name	Quantity	ME	Amend. no.	Techn. Info.	Weight	Rep kit	Alternative material
10	1346.307.328		GEAR SHIFT SHAFT	1			MGS LL+KOMBIRASTE	0,000		
12	0750.199.019		GREASE	3			KLASSE A	0,000		
20	1346.307.048		DRIVER	1			MGS RL AND LL	0,000		
22	0750.199.019		GREASE	3			KLASSE A	0,000		
30	0630.003.005		WASHER	1				0,000		
40	0631.315.522		CYLINDRICAL PIN	1			10X45	0,000		
44	---		HEXAGON BOLT	1			M6X10	0,000		
---	0636.015.032		HEXAGON BOLT	1			M6X10	4		

Plant

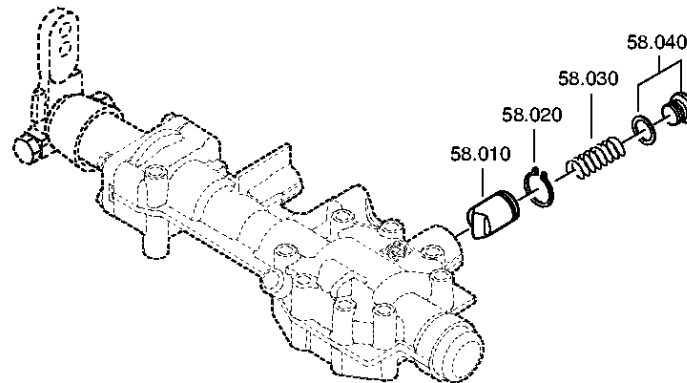
Page 1 from 1

Material number: 1346.002.062
Plant: 150.58.01-1

6 S 1000 TO / KAMAZ PUBLIC JOINT STOCK
COMPANY
DETENT



Material-assembly-group-no: 1346.158.004



Parts list

Page 1 from 1

Material number: 1346.002.062

Plant: 150.58.01-1

Material-assembly-group-no: 1346.158.004

6 S 1000 TO / KAMAZ PUBLIC JOINT STOCK

COMPANY



Pos.	Material number	Customer material	Name	Quantity	ME	Amend. no.	Techn. Info.	Weight	Rep kit	Alternative material
10	1346.307.051		LOCKING PIN	1		C01008616E10	MGS LHD UND RHD	0,000		
20	---		RETAINING RING	1			H= 1,35- 1,85(ABSTUFUNG:0,10MM)	0,000		
---	0730.501.805		RETAINING RING	1			A=1,85	0,000		
---	0630.501.367		RETAINING RING	1			20X1,75	0,000		
---	0630.501.368		RETAINING RING	1			20X1,65	0,000		
---	0630.501.369		RETAINING RING	1			20X1,55	0,000		
---	0630.501.376		RETAINING RING	1			20X1,45	0,000		
---	0630.501.377		RETAINING RING	1			20X1,35	0,000		
30	0732.042.991		COMPRSPRING	1			RASTIERG.O.INT. SERVO 6G	0,000		
40	---		SCREW PLUG	1		Z00010111811	M30X1,5	0,000		
---	0636.302.610		SCREW PLUG	1		Z00010111810	M30X1,5	0,000		
---	0634.801.097		SEALING RING	1		Z00010111810	30X36	0,019		

Plant

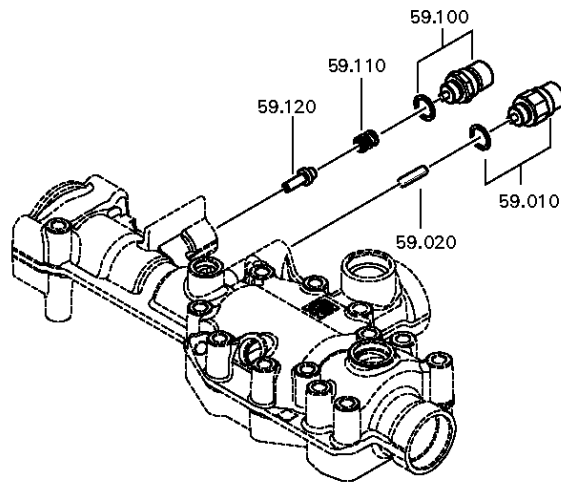
Page 1 from 1

Material number: 1346.002.062
Plant: 150.59.01-1

6 S 1000 TO / KAMAZ PUBLIC JOINT STOCK
COMPANY
SWITCH



Material-assembly-group-no: 1346.159.042



Parts list

Page 1 from 1

Material number: 1346.002.062

Plant: 150.59.01-1

Material-assembly-group-no: 1346.159.042

6 S 1000 TO / KAMAZ PUBLIC JOINT STOCK

COMPANY



Pos.	Material number	Customer material	Name	Quantity	ME	Amend. no.	Techn. Info.	Weight	Rep kit	Alternative material
10	---		SWITCH	1			OEFF*45N.M* DICHTRING* BAJONETT* SCHUTZKAPPE	0,000		
---	0501.216.474		SWITCH	1				0,050		
---	0634.801.062		SEALING RING	1			18X24	0,001		
---	0700.300.427		PROTECTING CAP	1				0,005		
20	0731.201.759		PIN	1			ENTHALT.IN 0731 201 445(2)	0,000		
30	1316.307.431		BRACKET	1		Z00009440410		0,000		
40	0637.006.280		HEXAGON NUT	1		Z00007282715	M8	0,000		
100	---		SWITCH	1			SCHL*45N.M* DICHTRING* BAJONETT* SCHUTZKAPPE	0,000		
---	0501.210.058		SWITCH	1			KPL.	0,000		
---	0634.801.062		SEALING RING	1			18X24	0,001		
---	0700.300.427		PROTECTING CAP	1				0,005		
110	0732.041.612		COMPRSPRING	1				0,000		
120	1315.307.414		BOLT	1				0,000		

Plant

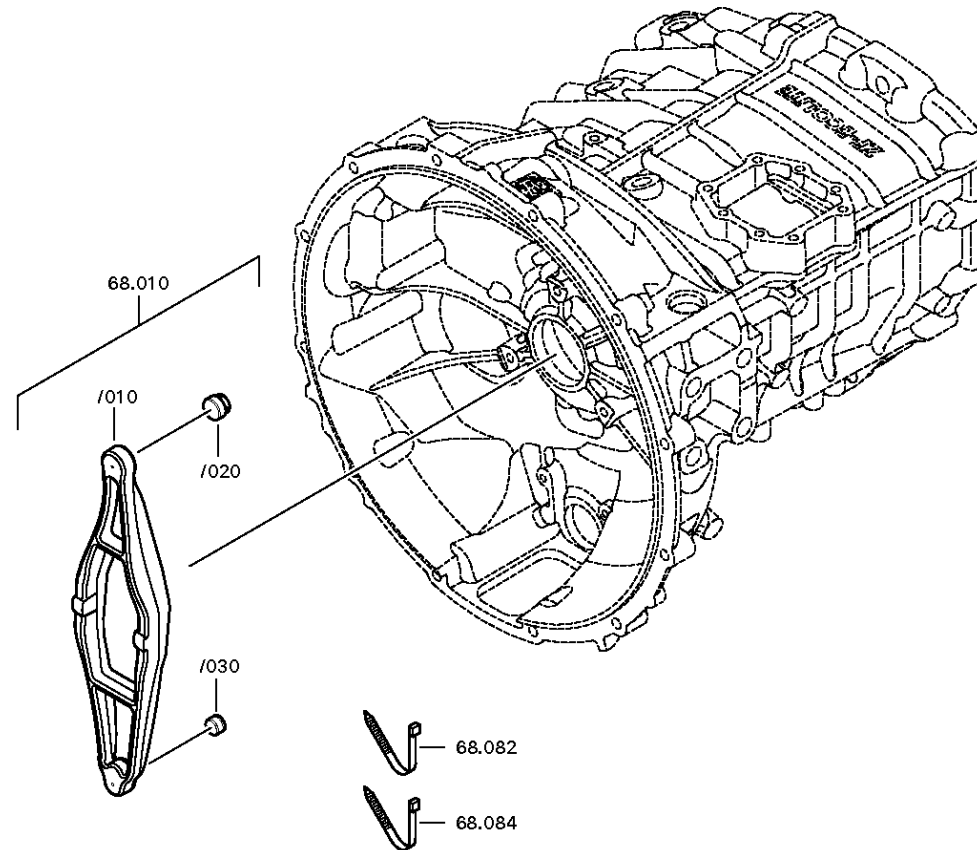
Page 1 from 1

Material number: 1346.002.062
Plant: 150.93.42-1

6 S 1000 TO / KAMAZ PUBLIC JOINT STOCK
COMPANY
CLUTCH RELEASE DEVICE



Material-assembly-group-no: 6060.168.009



Parts list

Page 1 from 1

Material number: 1346.002.062

Plant: 150.93.42-1

Material-assembly-group-no: 6060.168.009

6 S 1000 TO / KAMAZ PUBLIC JOINT STOCK

COMPANY



Pos.	Material number	Customer material	Name	Quantity	ME	Amend. no.	Techn. Info.	Weight	Rep kit	Alternative material
10	6060.268.030		RELEASE FORK	1			KPL. I=2,05	0,000		
/10	6060.368.043		RELEASE FORK	1			I=2,05	0,000		
/20	0501.324.061		BALL CUP	1				0,000		
/30	0501.315.159		BALL CUP	1			KS12-18-12	0,000		
82	0659.160.033		CABLE CLIP	1		Z00007460510		0,002		
84	0659.160.033		CABLE CLIP	1		Z00007460510		0,002		