



Spare Parts Catalog

S 5-42

Material number: 1307.050.401



Pos.	Information	Amendment number
001	Use case -----	
002	Customer OAO - MINSKER AUTOMOBILWERK - (MAZ)	
003	City Minsk	
004	DUNS 53-515-8505	
005	Vehicle / Apparatus -----	
006	Sales Name	
007	Manufacturer OAO - MINSKER AUTOMOBILWERK - (MAZ)	
008	Engineering Name	
009	Product Use TRUCK	
010	Vehicle/Hardware Type ROAD TRACTOR	
011	SOP	
012	Engine	
013	Sales Designation	
014	Manufacturer Deutz AG	
015	Eng.Displ.	
016	Cylinder	
017	Nom. power 125 kW	
018	RPM at nom. power 2400 1/min	
019	Nom. torque 577 Nm	
020	RPM at nom. torque 1500 1/min	
021	Classification use case -----	
022	APPROVAL NOTE 1 ERSTEINBAU*UEBERPRUEFG.DURCHGEFUEHRT	
026	DESIGNATION, CLUTCH MF362	
027	MANUFACTURER, CLUTCH ZF-SACHS	
030	TOTAL NUMBER OF WHEELS 4	
031	NUMBER OF DRIVING WHEELS 2	
032	DYNAMIC TYRE RADIUS 398 mm	
033	REAR AXLE RATIO 3.9	
037	PERMISS.GROSS VEHICLE WEIGHT 10 t	
039	Product description -----	
040	INSTALLATION POS TRANSMISSION VERTICAL	
041	TRANSMISSION ATTACHMENT FLANGE-MOUNTED	



Pos.	Information	Amendment number
042	RATIO, BOTTOM GEAR 5.72	
043	RATIO, TOP GEAR .76	
044	SET OF RATIOS SG	
045	RATIO, 1ST GEAR 5.72	
046	RATIO, 2ND GEAR 2.94	
047	RATIO, 3RD GEAR 1.61	
048	RATIO, 4TH GEAR 1	
049	RATIO, 5TH GEAR .76	
050	RATIO, 1ST GEAR REVERSE 5.24	
051	DESIGN, SHIFT SYSTEM TURNING SHAFT	
052	POSITION, GEAR SHIFT SYSTEM HORIZONTAL LEFT	
054	DESIGN, SEPARATING CLUTCH FULL-SYNCHRONIZED	
055	REFERENCE LENGTH INPUT SHAFT -104 mm	
056	STANDARD TYPE INPUT SHAFT SAE	
058	NORMEN IDENTNUMMER ANTR.WELLE 10C	
059	NOMINAL DIAMETER INPUT SHAFT 1,500	
071	DESIGN,CONN., CLUTCH HOUSING SAE 3	
076	DIAMETER, RELEASE FLANGE 57 mm	
077	TYPE FIT RELEASE BEARING FLA. E8	
078	DESIGN BEARING OUTPUT STANDARD SUSPENSION	
079	OUTER DIA. OUTPUT FLANGE RA 150 mm	
081	NO.OF BORES OUTPUT FLANGE HA1 4	
082	BORE DIA. OUTPUT FLANGE RA 14.1 mm	
085	REF. LENGTH OUTPUT FLANGE RA 619 mm	
088	DESIGN, OUTPUT FLANGE HA GL-SPICER1535	
089	DIMENSION SHIFT TURRET DIST. 241 mm	
090	MEAS. LOC. SHIFT TURRET DIST. SHIFT LEVER OUTSIDE EDGE	
093	RADIUS 1 SHIFT LEVER 110 mm	
094	DESIGN, OFFSET, SHIFT LEVER OUTSIDE	
097	LOCATION GEAR SHIFT LEVER TAPER OUTSIDE	
101	LEVER POSITION SHIFTING OUTPUT C	
112	SELECTION PATTERN VARIANT INSTALLATION DRAWING	



Pos.	Information	Amendment number
115	SWITCH, REVERSE GEAR y	
116	DESIGN, RG (REV.GEAR) SWITCH CLOSING	
117	NOTE ON SWITCH, REVERSE GEAR GEAR SHIFT RAIL	
118	PROT. CAP SWITCH, REVERSE GEAR y	
119	DESIGN, CONNECTION, RG SWITCH DIN BAYONET	
121	SWITCH, NEUTRAL GEAR y	
122	DESIGN,NG(NEUTRAL GEAR)SWITCH OPENING SWITCH	
123	PROT.CAP SWITCH, NEUTRAL GEAR y	
124	DESIGN, CONNECTION, NG SWITCH DIN BAYONET	
128	REF.LENGTH,RELEASE BEAR.FLAN -12 mm	
130	TYPE OF RELEASE MECHANISM WITH	
133	AUSFUEHRUNG KUPPLUNGSGEHAEUSE INTEGRATED	
134	ASSEMBLY POS. CLUTCH CYLINDER 9	
135	VERSION OF CLUTCH CYLINDER SERVO	
136	AUSF BETAETIGUNG KUPPLUNG D=75.0	
137	EINBAUMASS KUPPLUNGSGEHAEUSE 145 mm	
143	DESIGN RELEASE BEARING WITHOUT GROOVE	
144	WRENCH SIZE, RELEASE FORK 75 mm	
149	NO.OF PULSES PULSE SENSOR SFI H68 6 IMP/U	
151	DESIGN PULSE SENSOR SFI H68 WITH	
153	PROT.CAP PULSE SENSOR SFI H68 y	
154	DESIG,CONN,PULSE SENS. SFI H68 DIN BAYONET	
193	OIL CAPACITY, GEARBOX 3.2 dm3	
196	OIL GRADE PERMISSIBLE ACC. TO TE-ML02	
198	COLOR NOT	
202	CODING OUTER CONSERVATION KA1	
203	CODING INNER CONSERVATION KI2	
204	SCOPE OUTER CONSERVATION T	
205	CONSERVATION SPECIFICATION ZFN 916	
206	Documents -----	
207	SCHALTGETRIEBE Drawing 1307.050.701	



Graphics	Pos.	Material number	Name	VKF	Amend. no.	Amend. start	Prod. no.	Material feature / tech. info.	ID
067.01.12-1	110	1307.101.138	GEARBOX HOUSING	1		00.00.0000		SG*E/Z 6*IMP.GEB 25 *SAE3*BAJONETT*ZF-AUSRUECK	3
067.02.04-1	130	1307.102.097	INPUT SHAFT	1		00.00.0000		5,72-0,76*L=238*SAE 1 1/2*WDR- LAUFBAHN-D=48*KUPPL.GL.INT	3
067.03.01-1	160	1307.103.021	LAYSHAFT	1		00.00.0000		5,72-0,76 *ERH.PRESS*2G-GESCHL	3
067.04.04-1	200	1307.104.201	MAIN SHAFT	1		00.00.0000		5,72-0,76 *EURO *ST-SYN 1/2/3	3
067.04.04-1	210	1307.104.812	MAIN SHAFT	1		00.00.0000		AD=150*LZ= 4*D=14,1 *E/Z 6*GS1535	3
067.05.01-1	220	1307.105.002	RETURN	1		00.00.0000		SG*5,72-0,76	3
067.06.05-1	230	1307.106.058	GEAR SHIFT SYSTEM	1		00.00.0000		DW*SG*FING.AUSF1*SCHR.M12 *RASTE 240N*NG- ANZ*OEFF*VORB	3
067.06.05-1	238	1307.106.433	CONNECTING PARTS	1		00.00.0000		SG*RG-SCHL*NG-OEFF*ET16 *BAJONETT	3
067.07.01-1	280	1307.107.800	GEAR SHIFT HOUSING	1		00.00.0000		O.ABSTUETZUNG	3
067.07.01-1	900	1307.107.008	GEAR SHIFT HOUSING	1		00.00.0000		DW-WA*LI	3
067.07.01-1	910	1307.107.015	GEAR SHIFT SHAFT	1		00.00.0000		L=208,0*KLEMMHEBEL	3
067.93.31-1	140	1307.168.012	CLUTCH RELEASE DEVICE	1		00.00.0000		HEBEL SW=75*BOLZEN L=105	3
067.93.31-1	142	1307.168.405	CLUTCH RELEASE DEVICE	1		00.00.0000		ZYL D=75,0	3

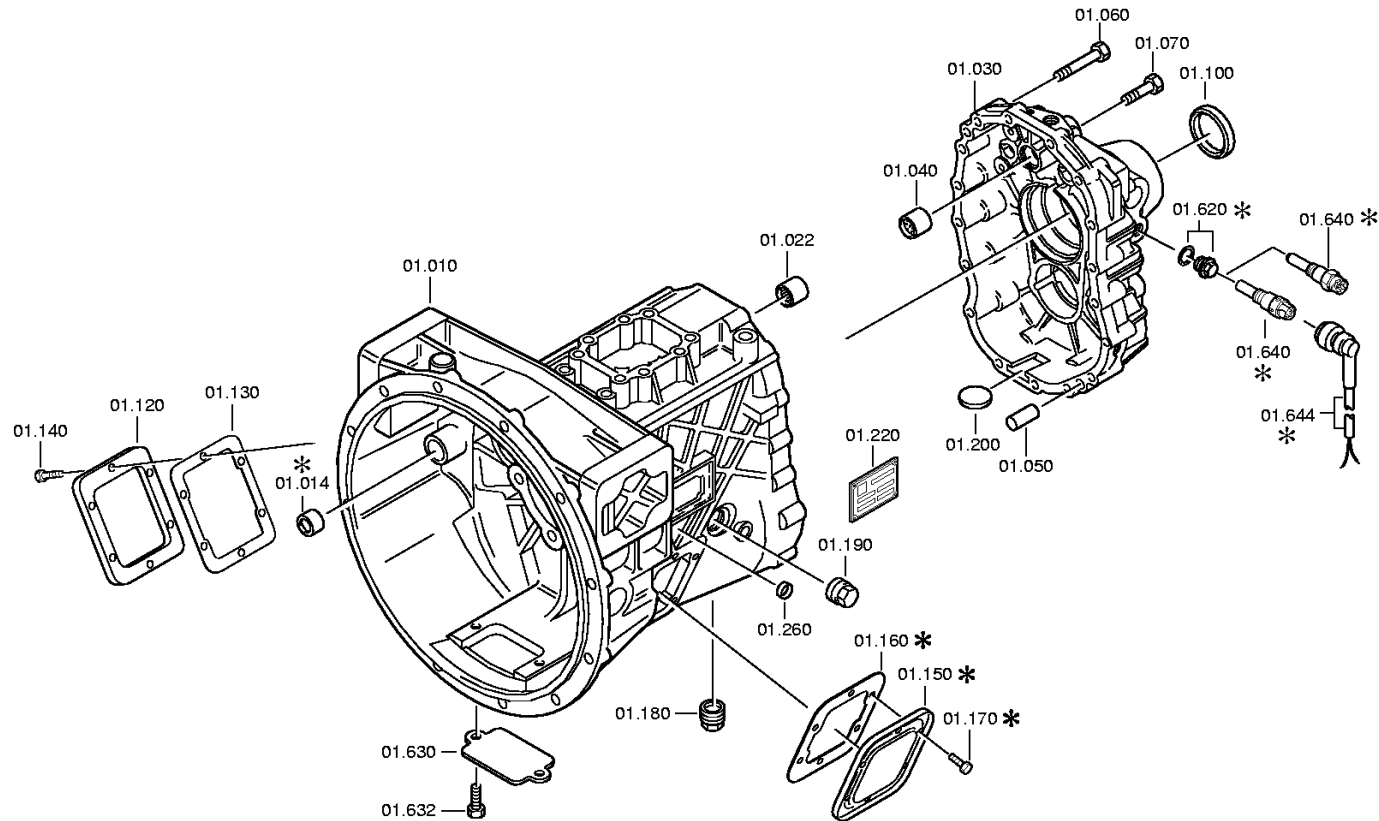
VKF Incidence factor

ID Identification (output code)



Bildtafel:
 Figure: 067.01.12
 Figure:
 Figura:

je nach Stücklistenausführung
 depending on spec. number
 * suivant la nomenclature
 secondo la distinta base





Pos.	Material number	Name	VKF	Amend. no.	Amend. start	Prod. no.	Material feature / tech. info.	OTK	External material no.	ID	Weight	SP
10	1307.201.055	HOUSING	1		00.00.0000		KPL.			3	0,000	
22	0750.115.238	BALL SLEEVE	1		00.00.0000		18,0X24,0X24,0			3	0,000	
30	1307.301.253	OUTPUT HOUSING	1		00.00.0000					5	0,000	
40	0750.115.238	BALL SLEEVE	1		00.00.0000		18,0X24,0X24,0			3	0,000	
50	0631.306.232	CYLINDRICAL PIN	2		00.00.0000		12X24			5	0,000	
60	0636.011.757	HEXAGON BOLT	15	Z0000705 1312	01.01.2012	01.01.2012	M8X55			5	0,000	
70	0636.100.628	HEXAGON BOLT	2	Z0000705 7111	31.12.2010	31.12.2010	M8X35			5	0,000	
100	0734.319.652	SHAFT SEAL	1	C0100507 7B10	00.00.0000	00.00.0000	48X65X8 FA.CFW			5	0,000	
120	1304.301.318	COVER	1		00.00.0000					5	0,000	
130	1290.301.140	GASKET	1		00.00.0000		ENTHALT.IN 1290 301 071(1)			5	0,000	
140	0636.015.445	HEXAGON BOLT	6		00.00.0000		M10X22			5	0,000	
150	1304.301.318	COVER	1		00.00.0000					5	0,000	
160	1290.301.140	GASKET	1		00.00.0000		ENTHALT.IN 1290 301 071(1)			5	0,000	
170	0636.015.445	HEXAGON BOLT	6		00.00.0000		M10X22			5	0,000	
180	---	SCREW PLUG	1		00.00.0000		50N.M*O.DICHTRING M24X1 ,5			3	0,000	
---	0736.303.005	SCREW PLUG	1		00.00.0000				0954124020	5	0,000	
190	---	SCREW PLUG	1		00.00.0000		50N.M*O.DICHTRING M24X1 ,5			3	0,000	
---	0736.303.005	SCREW PLUG	1		00.00.0000				0954124020	5	0,000	
200	1048.301.010	SOLENOID	1		00.00.0000					5	0,000	
220	0730.365.260	TYPE PLATE	1		00.00.0000					5	0,000	
260	0630.100.029	SEALING CAP	1	Z0000716 6013	31.12.2010	31.12.2010				5	0,000	
630	1307.301.224	COVER	1	C0100065 3A10	00.00.0000	00.00.0000				5	0,000	
632	0636.100.561	HEXAGON BOLT	2	Z0000707 3111	01.01.2012	01.01.2012	M5X10			5	0,000	

VKF Incidence factor

OTK Optional technical kit

ID Identification (output code)

SP Supplier plant



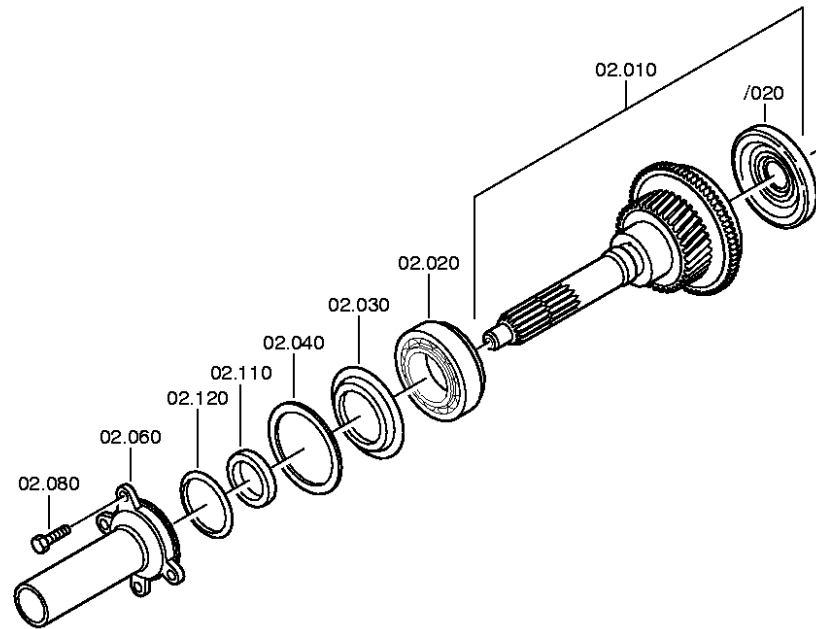
Pos.	Material number	Name	VKF	Amend. no.	Amend. start	Prod. no.	Material feature / tech. info.	OTK	External material no.	ID	Weight	SP
640	---	PULSE SENSOR	1		00.00.0000		45N.M*O.DICHTRING* BAJONETT*L=25,0			3	0,000	
---	0501.210.856	PULSE SENSOR	1		00.00.0000					5	0,000	

VKF Incidence factor

OTK Optional technical kit

ID Identification (output code)

SP Supplier plant





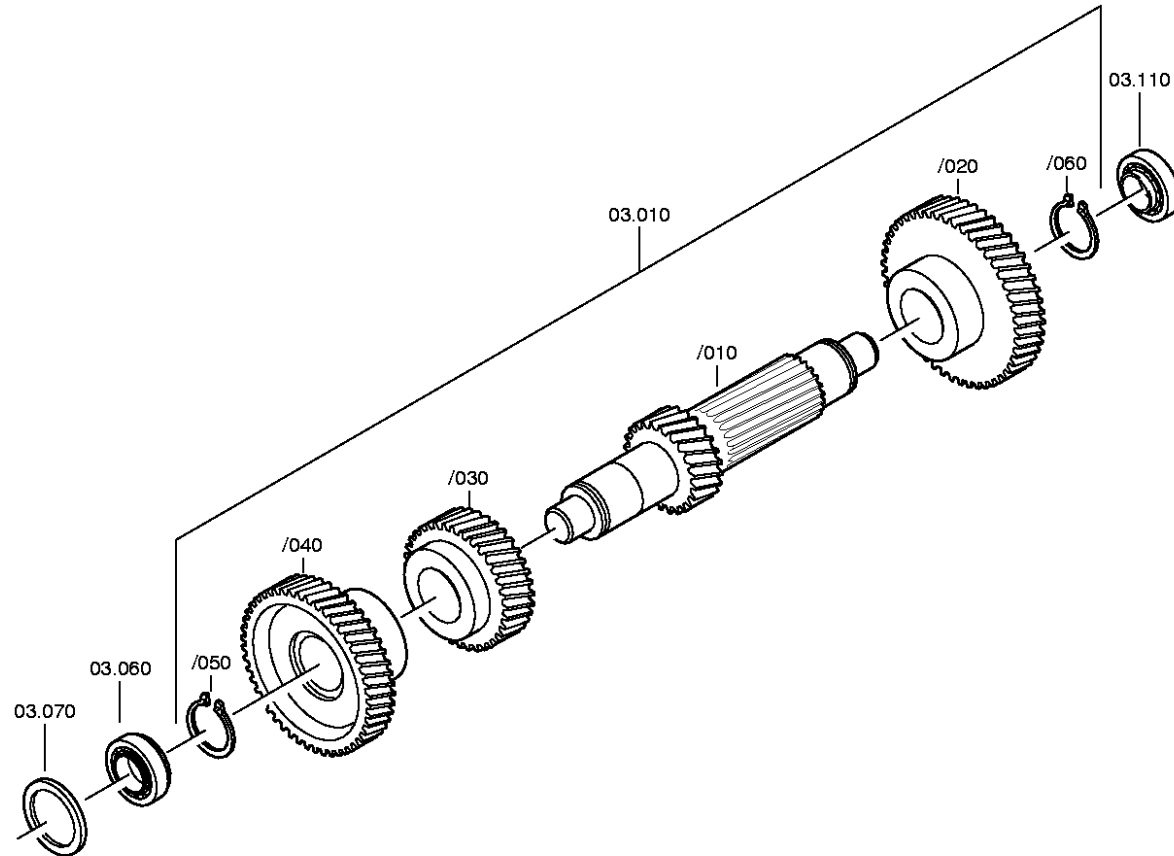
Pos.	Material number	Name	VKF	Amend. no.	Amend. start	Prod. no.	Material feature / tech. info.	OTK	External material no.	ID	Weight	SP
10	1307.202.168	INPUT SHAFT	1		00.00.0000		KPL.L=238*SAE 1 1/2*5,72_			3	0,000	
/20	0501.316.778	OIL DAM	1		00.00.0000					5	0,000	
20	---	TAROLLBEARING	1		00.00.0000					3	0,000	
---	1307.202.116	TAROLLBEARING	1		00.00.0000		KPL.			3	0,000	
---	1307.202.018	TAROLLBEARING	1		00.00.0000		KPL.50,8X92,0X25,4			3	0,000	
30	0750.112.061	RING	1		00.00.0000		56,0X91,9X3,0			3	0,000	
40	---	WASHER	1		00.00.0000		S= 1,20- 2,00(ABSTUFUNG:0,05MM)			3	0,000	
---	0730.105.768	WASHER	1		00.00.0000		A=2,00 IN 0730 105 762(1)			5	0,000	
---	0730.106.204	WASHER	1		00.00.0000		A=1,95 IN 0730 105 762(1)			5	0,000	
---	0730.105.767	WASHER	1		00.00.0000		A=1,90 IN 0730 105 762(1)			5	0,000	
---	0730.106.203	WASHER	1		00.00.0000		A=1,85 IN 0730 105 762(1)			5	0,000	
---	0730.105.766	WASHER	1		00.00.0000		A=1,80 IN 0730 105 762(1)			5	0,000	
---	0730.106.202	WASHER	1		00.00.0000		A=1,75 IN 0730 105 762(1)			5	0,000	
---	0730.105.765	WASHER	1		00.00.0000		A=1,70 IN 0730 105 762(1)			5	0,000	
---	0730.106.201	WASHER	1		00.00.0000		A=1,65 IN 0730 105 762(1)			5	0,000	
---	0730.105.764	WASHER	1		00.00.0000		A=1,60 IN 0730 105 762(1)			5	0,000	
---	0730.106.200	WASHER	1		00.00.0000		A=1,55 IN 0730 105 762(1)			5	0,000	
---	0730.105.763	WASHER	1		00.00.0000		A=1,50 IN 0730 105 762(1)			5	0,000	
---	0730.106.689	WASHER	1		00.00.0000		A=1,45 IN 0730 105 762(1)			5	0,000	
---	0730.106.688	WASHER	1		00.00.0000		A=1,40 IN 0730 105 762(1)			5	0,000	
---	0730.106.687	WASHER	1		00.00.0000		A=1,35 IN 0730 105 762(1)			5	0,000	
---	0730.106.686	WASHER	1		00.00.0000		A=1,30 IN 0730 105 762(1)			5	0,000	
---	0730.106.685	WASHER	1		00.00.0000		A=1,25 IN 0730 105 762(1)			5	0,000	
---	0730.106.684	WASHER	1		00.00.0000		A=1,20 IN 0730 105 762(1)			5	0,000	
60	1307.302.137	BEARING FLANGE	1		00.00.0000		ENTHALT.IN 1307 302 146(1)			5	0,000	
80	0636.100.797	HEXAGON BOLT	4	Z0000789 1312	31.12.2010	31.12.2010	M8X30			5	0,000	
110	0734.310.397	SHAFT SEAL	1		00.00.0000		48X65X8/10 FA.CFW			5	0,000	
120	0634.303.053	O-RING	1		00.00.0000		85X4			5	0,000	

VKF Incidence factor

OTK Optional technical kit

ID Identification (output code)

SP Supplier plant





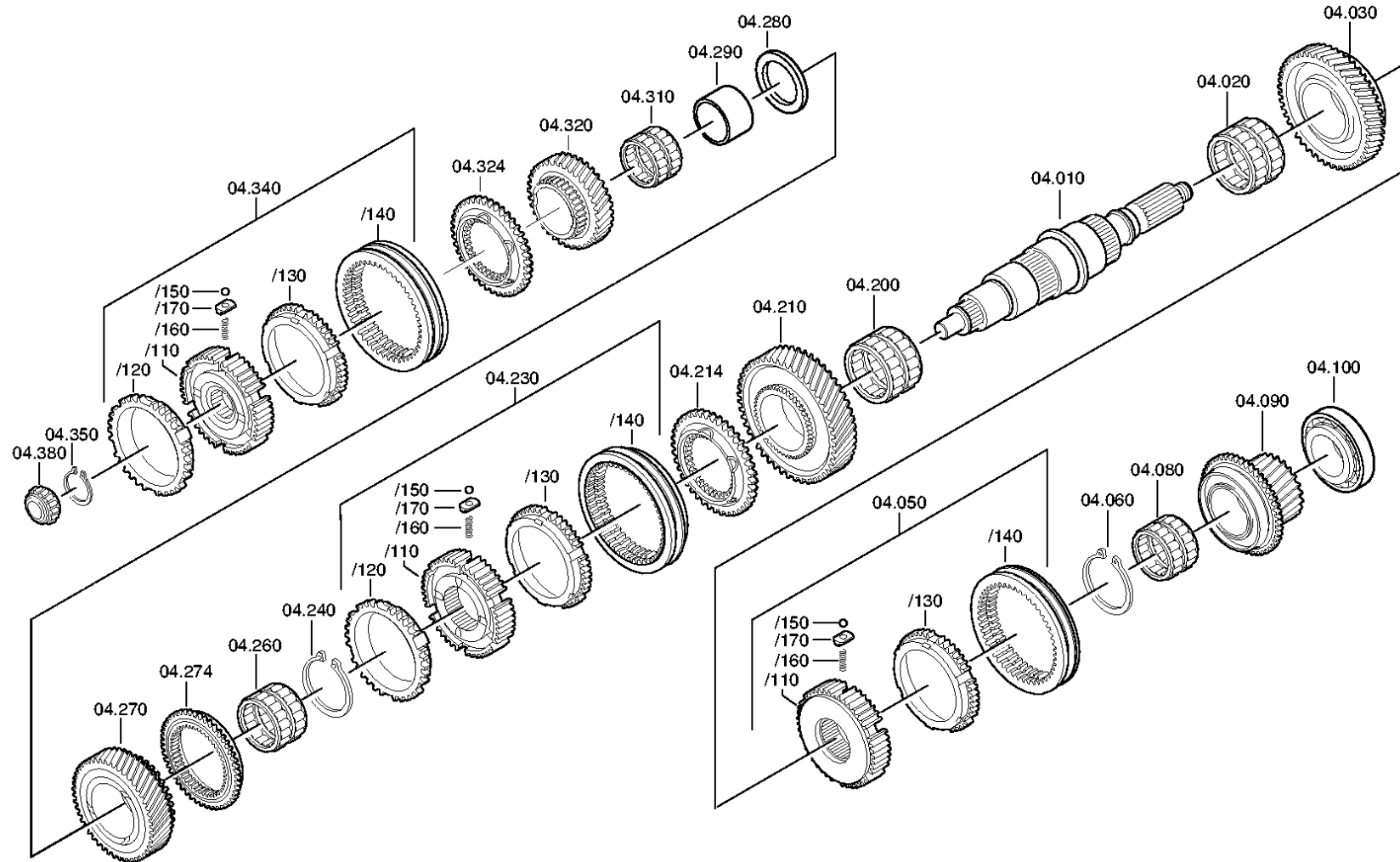
Pos.	Material number	Name	VKF	Amend. no.	Amend. start	Prod. no.	Material feature / tech. info.	OTK	External material no.	ID	Weight	SP
10	1307.203.047	LAYSHAFT	1		00.00.0000		KPL. IN 1307 203 045(1)			3	0,000	
/10	1307.303.104	LAYSHAFT	1		00.00.0000		ENTHALT.IN 1307 303 103(0)			5	0,000	
/20	1317.303.015	HELICAL GEAR	1		00.00.0000		5G/Z57 IN 1317 303 017(1)			5	0,000	
/30	1307.303.110	HELICAL GEAR	1		00.00.0000		3G/Z31 IN 1317 303 014(1)			5	0,000	
/40	1307.303.122	HELICAL GEAR	1		00.00.0000		Z45 IN 1307 303 121(1)			5	0,000	
/50	0630.501.033	RETAINING RING	1		00.00.0000		45X1,75		1000000208	5	5	
/60	0630.501.031	RETAINING RING	1		00.00.0000		40X1,75		1000000207	5	4	
60	---	TAROLLBEARING	1		00.00.0000					3	0,000	
---	1307.203.019	TAROLLBEARING	1		00.00.0000		KPL.			3	0,420	
---	1307.203.010	TAROLLBEARING	1		00.00.0000		KPL.			3	0,000	
---	1307.203.009	TAROLLBEARING	1		00.00.0000		KPL.31,7X66,4X25,4			3	0,000	
70	---	WASHER	1		00.00.0000		S= 1,40- 2,00(ABSTUFUNG:0,05MM)			3	0,000	
---	0730.004.837	WASHER	1		00.00.0000		A=2,00 IN 0730 004 828(2)			5	0,000	
---	0730.004.836	WASHER	1		00.00.0000		A=1,95 IN 0730 004 828(2)			5	0,000	
---	0730.004.835	WASHER	1		00.00.0000		A=1,90 IN 0730 004 828(2)			5	0,000	
---	0730.004.834	WASHER	1		00.00.0000		A=1,85 IN 0730 004 828(2)			5	0,000	
---	0730.004.833	WASHER	1		00.00.0000		A=1,80 IN 0730 004 828(2)			5	0,000	
---	0730.004.832	WASHER	1		00.00.0000		A=1,75 IN 0730 004 828(2)			5	0,000	
---	0730.004.831	WASHER	1		00.00.0000		A=1,70 IN 0730 004 828(2)			5	0,000	
---	0730.004.969	WASHER	1		00.00.0000		A=1,65 IN 0730 004 828(2)			5	0,000	
---	0730.004.830	WASHER	1		00.00.0000		A=1,60 IN 0730 004 828(2)			5	0,000	
---	0730.004.968	WASHER	1		00.00.0000		A=1,55 IN 0730 004 828(2)			5	0,000	
---	0730.004.829	WASHER	1		00.00.0000		A=1,50 IN 0730 004 828(2)			5	0,000	
---	0730.006.221	WASHER	1		00.00.0000		A=1,45 IN 0730 004 828(2)			5	0,000	
---	0730.006.220	WASHER	1		00.00.0000		A=1,40 IN 0730 004 828(2)			5	0,000	
110	---	TAROLLBEARING	1		00.00.0000					3	0,000	
---	1307.203.019	TAROLLBEARING	1		00.00.0000		KPL.			3	0,420	
---	1307.203.010	TAROLLBEARING	1		00.00.0000		KPL.			3	0,000	
---	1307.203.009	TAROLLBEARING	1		00.00.0000		KPL.31,7X66,4X25,4			3	0,000	

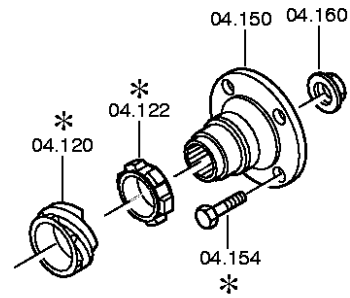
VKF Incidence factor

OTK Optional technical kit

ID Identification (output code)

SP Supplier plant







Pos.	Material number	Name	VKF	Amend. no.	Amend. start	Prod. no.	Material feature / tech. info.	OTK	External material no.	ID	Weight	SP
10	1307.304.623	MAIN SHAFT	1		00.00.0000		ENTHALT.IN 1307 304 548(0)			5	0,000	
20	0735.320.873	NEEDLE CAGE	1		00.00.0000		67,0X73,0X37,0 FA.INA		T158768	5	0,120	
30	1307.304.649	HELICAL GEAR	1		00.00.0000		RG IN 1307 304 648(0)			5	0,000	
50	1307.204.293	SYNCHRONIZER	1		00.00.0000		KPL.RG+5G*SG* /SIN*RG-KL			3	0,000	
/110	1307.204.230	SYNCHROBODY	1		00.00.0000		KPL.			3	0,000	
/130	1307.304.182	SYNCHRO RING	1		00.00.0000		ENTHALT.IN 1307 304 264(0)			5	0,000	
/140	1307.304.671	SLIDING SLEEVE	1	Z0000738 4710	01.04.2010	01.04.2010	ZF-B100 I			5	0,000	
/150	0635.460.010	BALL	3		00.00.0000		6		0540100297	5	1	
/160	0732.041.571	COMPRSPRING	3		00.00.0000					5	0,000	
/170	1307.304.156	PRESSURE PIECE	3		00.00.0000		ENTHALT.IN 1307 304 155(1)			5	0,000	
60	---	RETAINING RING	1		00.00.0000		S= 1,80- 2,40(ABSTUFUNG:0,05MM)			3	0,000	
---	0730.501.407	RETAINING RING	1	C0100789 0210	00.00.0000	00.00.0000	A=2,40 IN 0730 501 404(2)			5	0,000	
---	0730.501.406	RETAINING RING	1	C0100789 0210	00.00.0000	00.00.0000	A=2,35 IN 0730 501 404(2)			5	0,000	
---	0730.501.405	RETAINING RING	1	C0100789 0210	00.00.0000	00.00.0000	A=2,30 IN 0730 501 404(2)			5	0,000	
---	0730.501.506	RETAINING RING	1	C0100789 0210	00.00.0000	00.00.0000	A=2,25 IN 0730 501 404(2)			5	0,000	
---	0730.501.314	RETAINING RING	1		00.00.0000		A=2,20 IN 0730 501 263(2)		T158777	5	0,010	
---	0730.501.544	RETAINING RING	1		00.00.0000		A=2,15 IN 0730 501 263(2)			5	0,000	
---	0730.501.299	RETAINING RING	1		00.00.0000		A=2,10 IN 0730 501 263(2)			5	0,010	
---	0730.501.543	RETAINING RING	1		00.00.0000		A=2,05 IN 0730 501 263(2)			5	0,000	
---	0730.501.542	RETAINING RING	1		00.00.0000		A=2,00 IN 0730 501 263(2)			5	0,000	
---	0730.501.541	RETAINING RING	1		00.00.0000		A=1,95 IN 0730 501 263(2)			5	0,000	
---	0730.501.265	RETAINING RING	1		00.00.0000		A=1,90 IN 0730 501 263(2)		T159576	5	0,010	
---	0730.501.540	RETAINING RING	1		00.00.0000		A=1,85 IN 0730 501 263(2)			5	0,000	
---	0730.501.264	RETAINING RING	1		00.00.0000		A=1,80 IN 0730 501 263(2)		T159577	5	0,010	
80	0735.321.010	NEEDLE CAGE	1		00.00.0000		43,0X48,0X39,5 FA.INA			5	0,000	

VKF Incidence factor

OTK Optional technical kit

ID Identification (output code)

SP Supplier plant



Pos.	Material number	Name	VKF	Amend. no.	Amend. start	Prod. no.	Material feature / tech. info.	OTK	External material no.	ID	Weight	SP
90	1307.204.323	HELICAL GEAR	1		00.00.0000		KPL.5G IN 1317 204 020(1)			3	0,000	
100	---	TAROLLBEARING	1		00.00.0000					3	0,000	
---	1307.204.275	TAROLLBEARING	1		00.00.0000		KPL.42,0X92,0X25,4			3	0,000	
---	1307.204.056	TAROLLBEARING	1		00.00.0000		KPL.42,0X92,0X25,4			3	0,000	
122	1307.304.592	PULSE DISC	1		00.00.0000					5	0,000	
150	1307.304.595	OUTPUT FLANGE	1		00.00.0000		ENTHALT.IN 1307 304 609(1)			5	0,000	
160	---	LOCKING NUT	1		00.00.0000		M24X1,5			3	0,000	
---	1317.304.117	LOCKING NUT	1		00.00.0000		M24X1,5 IN 1317 304 096(2)			5	0,000	
200	0735.320.873	NEEDLE CAGE	1		00.00.0000		67,0X73,0X37,0 FA.INA		T158768	5	0,120	
210	1307.304.652	HELICAL GEAR	1		00.00.0000		1G IN 1307 304 651(0)			5	0,000	
214	1307.304.628	CLUTCH BODY	1		00.00.0000		ENTHALT.IN 1307 304 627(1)			5	0,000	
230	1307.204.266	SYNCHRONIZER	1		00.00.0000		KPL.1+2G*SG* ST/ST			3	0,000	
/110	1307.304.608	SYNCHROBODY	1		00.00.0000		1+2G			5	0,000	
/120	1307.304.644	SYNCHRORING	1	C0100116 1B10	00.00.0000	00.00.0000				5	0,000	
/130	1307.304.644	SYNCHRORING	1	C0100116 1B10	00.00.0000	00.00.0000				5	0,000	
/140	1307.304.668	SLIDING SLEEVE	1	Z0000738 4712	01.04.2010	01.04.2010	ZF-B115 I			5	0,000	
/150	0635.460.010	BALL	3		00.00.0000		6		0540100297	5	1	
/160	0732.041.571	COMPRSPRING	3		00.00.0000					5	0,000	
/170	1307.304.156	PRESSURE PIECE	3		00.00.0000		ENTHALT.IN 1307 304 155(1)			5	0,000	
240	---	RETAINING RING	1		00.00.0000		S= 1,80- 2,40(ABSTUFUNG:0,05MM)			3	0,000	
---	0730.501.407	RETAINING RING	1	C0100789 0210	00.00.0000	00.00.0000	A=2,40 IN 0730 501 404(2)			5	0,000	
---	0730.501.406	RETAINING RING	1	C0100789 0210	00.00.0000	00.00.0000	A=2,35 IN 0730 501 404(2)			5	0,000	
---	0730.501.405	RETAINING RING	1	C0100789 0210	00.00.0000	00.00.0000	A=2,30 IN 0730 501 404(2)			5	0,000	

VKF Incidence factor

OTK Optional technical kit

ID Identification (output code)

SP Supplier plant



Pos.	Material number	Name	VKF	Amend. no.	Amend. start	Prod. no.	Material feature / tech. info.	OTK	External material no.	ID	Weight	SP
---	0730.501.506	RETAINING RING	1	C0100789 0210	00.00.0000	00.00.0000	A=2,25 IN 0730 501 404(2)			5	0,000	
---	0730.501.314	RETAINING RING	1		00.00.0000		A=2,20 IN 0730 501 263(2)		T158777	5	0,010	
---	0730.501.544	RETAINING RING	1		00.00.0000		A=2,15 IN 0730 501 263(2)			5	0,000	
---	0730.501.299	RETAINING RING	1		00.00.0000		A=2,10 IN 0730 501 263(2)			5	0,010	
---	0730.501.543	RETAINING RING	1		00.00.0000		A=2,05 IN 0730 501 263(2)			5	0,000	
---	0730.501.542	RETAINING RING	1		00.00.0000		A=2,00 IN 0730 501 263(2)			5	0,000	
---	0730.501.541	RETAINING RING	1		00.00.0000		A=1,95 IN 0730 501 263(2)			5	0,000	
---	0730.501.265	RETAINING RING	1		00.00.0000		A=1,90 IN 0730 501 263(2)		T159576	5	0,010	
---	0730.501.540	RETAINING RING	1		00.00.0000		A=1,85 IN 0730 501 263(2)			5	0,000	
---	0730.501.264	RETAINING RING	1		00.00.0000		A=1,80 IN 0730 501 263(2)		T159577	5	0,010	
260	0735.320.871	NEEDLE CAGE	1		00.00.0000		60,0X66,0X42,0 FA.INA		T158767	5	0,120	
270	1307.304.632	HELICAL GEAR	1		00.00.0000		ENTHALT.IN 1307 304 631(1)			5	0,000	
274	1307.304.628	CLUTCH BODY	1		00.00.0000		ENTHALT.IN 1307 304 627(1)			5	0,000	
280	0730.106.561	WASHER	1		00.00.0000		A=5,00 IN 0730 106 560(1)			5	0,000	
290	0730.162.428	BUSH	1		00.00.0000		A=42,30 IN 0730 161 688(2)			5	0,000	
310	0735.320.871	NEEDLE CAGE	1		00.00.0000		60,0X66,0X42,0 FA.INA		T158767	5	0,120	
320	1307.304.638	HELICAL GEAR	1		00.00.0000		ENTHALT.IN 1307 304 636(1)			5	0,000	
324	1307.304.626	CLUTCH BODY	1		00.00.0000		ENTHALT.IN 1307 304 625(1)			5	0,000	
340	1307.204.317	SYNCHRONIZER	1		00.00.0000		KPL.3+4G*SG*ST/SIN			3	0,000	
/110	1307.304.607	SYNCHROBODY	1		00.00.0000		3+4G			5	0,000	
/120	1307.304.182	SYNCHROBODY	1		00.00.0000		ENTHALT.IN 1307 304 264(0)			5	0,000	
/130	1307.304.643	SYNCHROBODY	1	C0100116 0B10	00.00.0000	00.00.0000	ENTHALT.IN 1307 304 645(1)			5	0,000	
/140	1307.304.669	SLIDING SLEEVE	1	Z0000738 4713	01.04.2010	01.04.2010	ZF-B100 I			5	0,000	
/150	0635.460.010	BALL	3		00.00.0000		6		0540100297	5	1	
/160	0732.041.571	COMPRSPRING	3		00.00.0000					5	0,000	
/170	1307.304.156	PRESSURE PIECE	3		00.00.0000		ENTHALT.IN 1307 304 155(1)			5	0,000	
350	---	RETAINING RING	1		00.00.0000		S= 1,80- 2,20(ABSTUFUNG:0,10MM)			3	0,000	

VKF Incidence factor

OTK Optional technical kit

ID Identification (output code)

SP Supplier plant



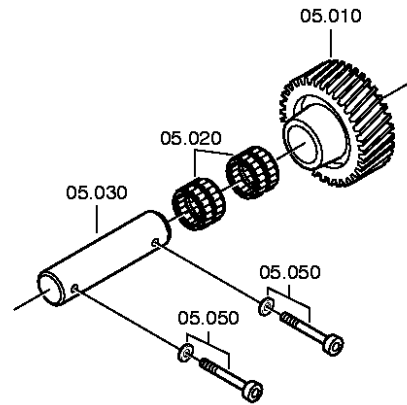
Pos.	Material number	Name	VKF	Amend. no.	Amend. start	Prod. no.	Material feature / tech. info.	OTK	External material no.	ID	Weight	SP
---	0730.501.301	RETAINING RING	1		00.00.0000		A=2,20 IN 0730 501 259(2)			5	0,000	
---	0730.501.300	RETAINING RING	1		00.00.0000		A=2,10 IN 0730 501 259(2)			5	0,000	
---	0730.501.262	RETAINING RING	1		00.00.0000		A=2,00 IN 0730 501 259(2)			5	0,000	
---	0730.501.261	RETAINING RING	1		00.00.0000		A=1,90 IN 0730 501 259(2)			5	0,000	
---	0730.501.260	RETAINING RING	1		00.00.0000		A=1,80 IN 0730 501 259(2)			5	0,000	
380	0750.117.251	TAROLLBEARING	1		00.00.0000		24,0X28,5		8 8344 0	3	0,000	

VKF Incidence factor

OTK Optional technical kit

ID Identification (output code)

SP Supplier plant





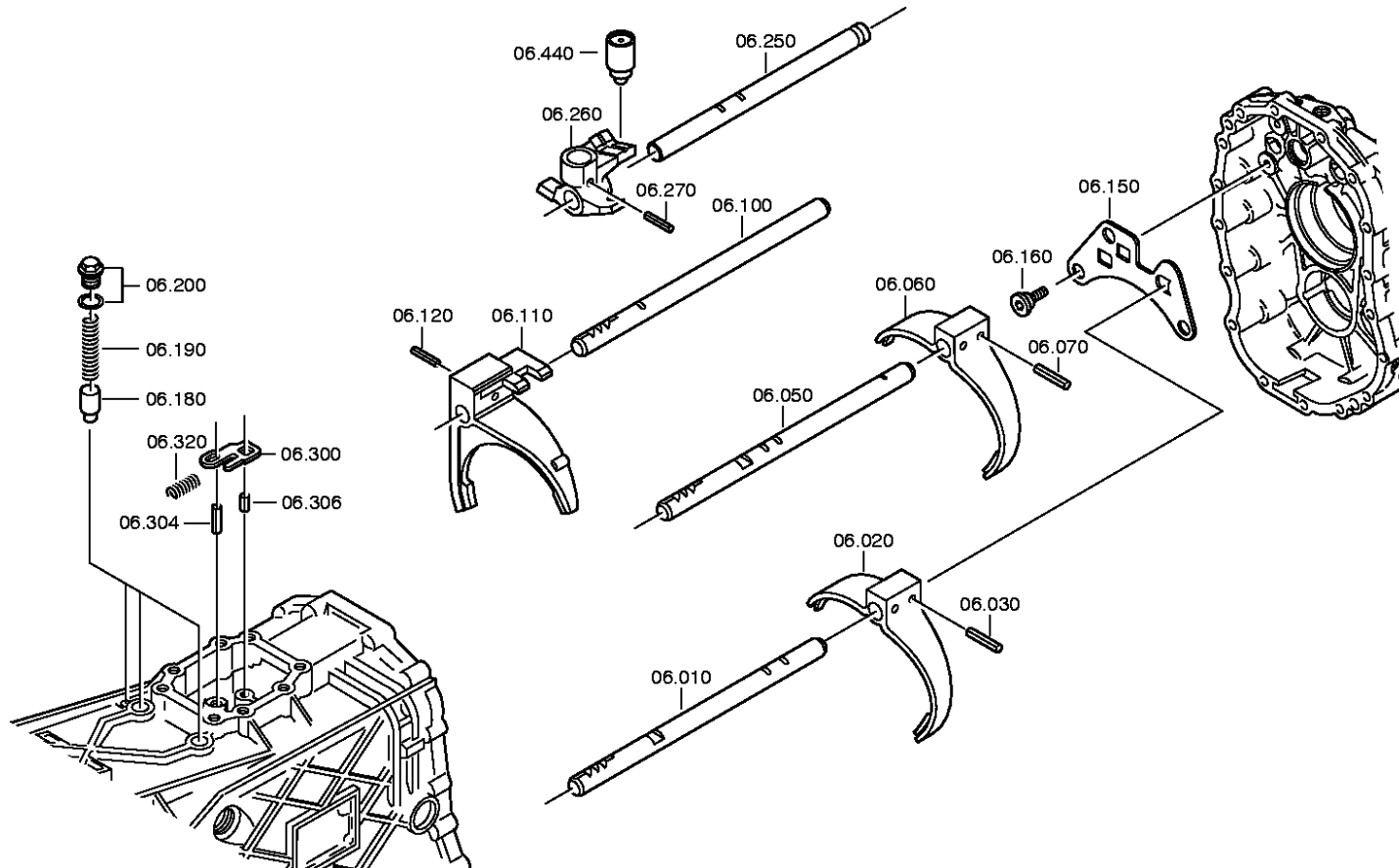
Pos.	Material number	Name	VKF	Amend. no.	Amend. start	Prod. no.	Material feature / tech. info.	OTK	External material no.	ID	Weight	SP
10	1307.305.025	IDLER GEAR	1		00.00.0000		RG IN 1307 305 024(1)			5	0,000	
20	0750.115.233	NEEDLE CAGE	2		00.00.0000		30,0X38,0X30,0			3	0,000	
30	1307.305.003	PIN	1		00.00.0000		ENTHALT.IN 1307 305 021(2)			5	0,000	
50	---	CAP SCREW	2		00.00.0000		M8X50			3	0,000	
---	0636.101.663	CAP SCREW	2		00.00.0000		M8X50		8900120482	5	22,700	
---	0630.050.016	USIT RING	2		00.00.0000		8,7X13X1			5	0,000	

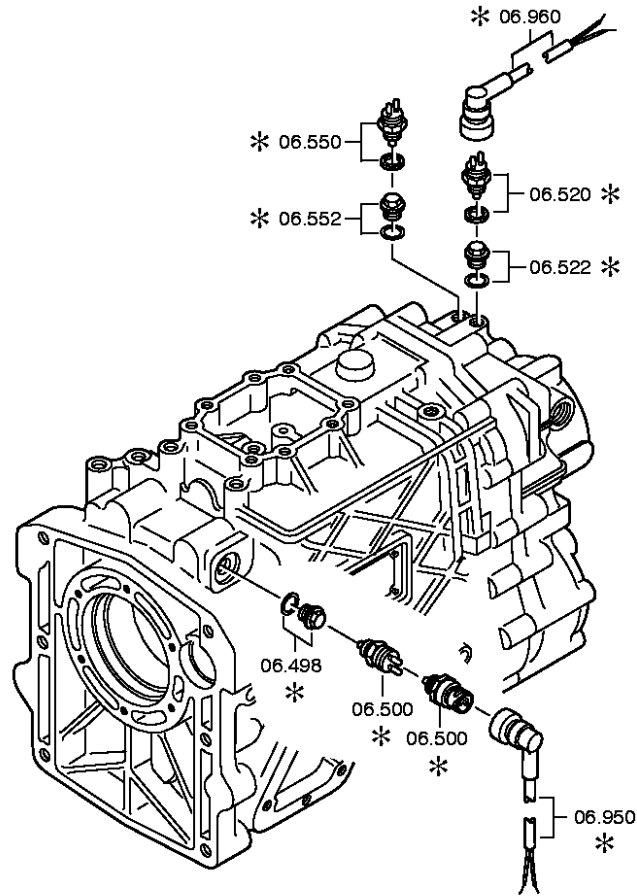
VKF Incidence factor

OTK Optional technical kit

ID Identification (output code)

SP Supplier plant







Pos.	Material number	Name	VKF	Amend. no.	Amend. start	Prod. no.	Material feature / tech. info.	OTK	External material no.	ID	Weight	SP
10	1307.306.219	GEAR SHIFT RAIL	1		00.00.0000		5+RG IN 1307 306 221(1)			5	0,000	
20	1307.306.019	GEAR SHIFT FORK	1		00.00.0000		ENTHALT.IN 1307 306 012(0)			5	0,000	
30	0631.329.069	SLOTPIN	2		00.00.0000		6X30		7307328A	5	4	
50	1307.306.245	GEAR SHIFT RAIL	1		00.00.0000		1+2G IN 1307 306 244(1)			5	0,000	
60	1317.306.008	GEAR SHIFT FORK	1		00.00.0000		1+2G			5	0,000	
70	0631.329.069	SLOTPIN	2		00.00.0000		6X30		7307328A	5	4	
100	1307.306.169	GEAR SHIFT RAIL	1		00.00.0000		3+4G			5	0,000	
110	1307.206.027	GEAR SHIFT FORK	1		00.00.0000		KPL.3/4G*VERSTAERKT			3	0,000	
120	0631.329.069	SLOTPIN	1		00.00.0000		6X30		7307328A	5	4	
150	1307.306.230	SHIFTING INTERLOCK	1		00.00.0000					5	0,000	
160	---	COLLAR SCREW	3		00.00.0000		M6			3	0,000	
---	1307.306.121	COLLAR SCREW	3		00.00.0000		M6			5	0,000	
180	1307.306.170	DETENT PIN	3		00.00.0000					5	0,000	
190	0732.041.946	COMPRSPRING	3		00.00.0000					5	0,000	
200	---	SCREW PLUG	3		00.00.0000		25N.M*DICHTRING AM12X1,5			3	0,000	
---	0636.305.072	SCREW PLUG	3		00.00.0000		M12X1,5			5	0,010	
---	0634.801.027	SEALING RING	3		00.00.0000		12X16			5	0,000	
250	1307.306.260	GEAR SHIFT SHAFT	1		00.00.0000					5	0,000	
260	1307.306.262	PIVOT DETENT	1		00.00.0000		ENTHALT.IN 1307 306 261(0)			5	0,000	
270	0631.329.069	SLOTPIN	1		00.00.0000		6X30		7307328A	5	4	
300	1307.306.229	STOP PLATE	1		00.00.0000					5	0,000	
304	0631.330.131	SLOTPIN	1		00.00.0000		8X22			5	0,000	
306	0631.330.006	SLOTPIN	1		00.00.0000		5X16		531537A075439	5	0,000	
320	0732.041.947	COMPRSPRING	1		00.00.0000					5	0,000	
440	0501.206.451	GSHIFT DETENT	1		00.00.0000		KPL. IN 0501 207 250(2)			5	0,000	
500	---	SWITCH	1		00.00.0000		SCHL*40N.M*O.DICHTRING*BAJONETT			3	0,000	
---	0501.210.785	SWITCH	1		00.00.0000		KPL.SCHL			5	0,000	

VKF Incidence factor

OTK Optional technical kit

ID Identification (output code)

SP Supplier plant



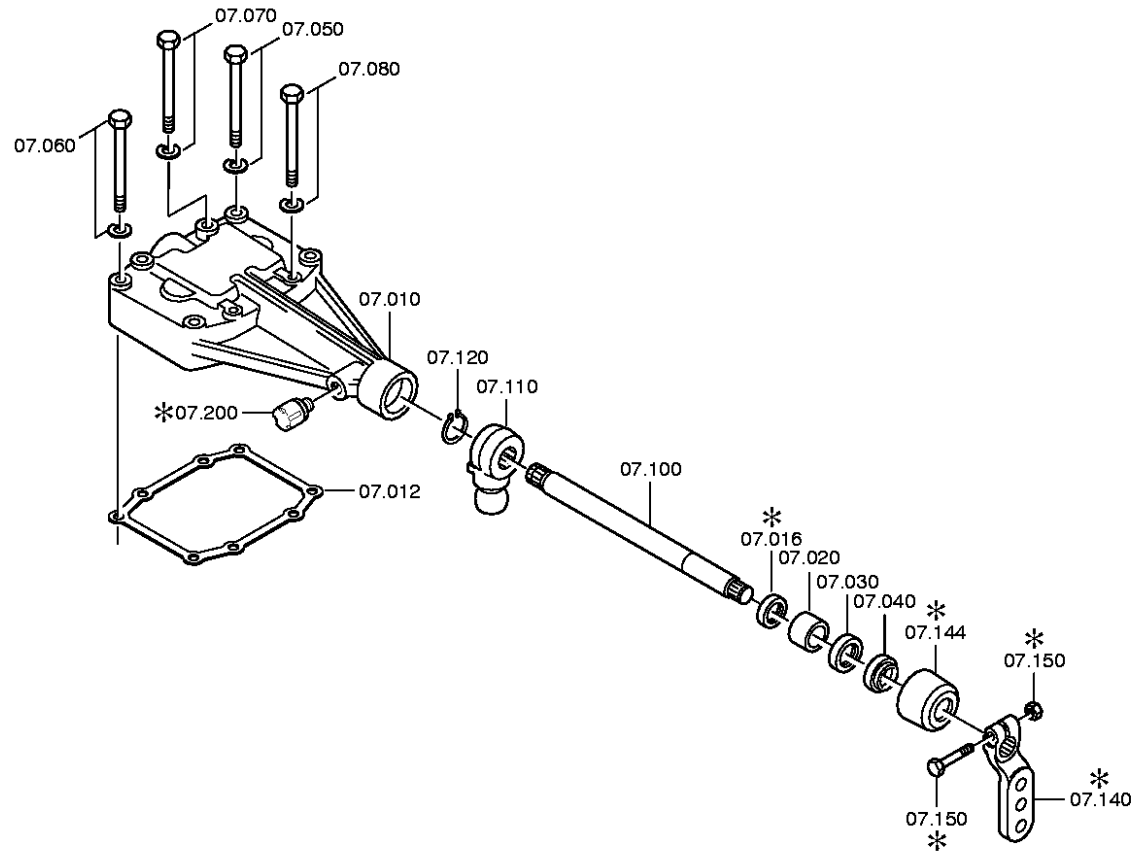
Pos.	Material number	Name	VKF	Amend. no.	Amend. start	Prod. no.	Material feature / tech. info.	OTK	External material no.	ID	Weight	SP
520	---	SWITCH	1		00.00.0000		OEFF*40N.M*O.DICHTRING* ET16*BAJONETT			3	0,000	
---	0501.216.476	SWITCH	1		00.00.0000		KPL.			5	0,000	

VKF Incidence factor

OTK Optional technical kit

ID Identification (output code)

SP Supplier plant





Pos.	Material number	Name	VKF	Amend. no.	Amend. start	Prod. no.	Material feature / tech. info.	OTK	External material no.	ID	Weight	SP
10	1307.306.246	GEAR SHIFT HOUSING	1		00.00.0000		LI			5	0,000	
12	1307.306.034	GASKET	1		00.00.0000		ENTHALT.IN 1308 307 010(2)			5	0,000	
16	0734.300.021	SHAFT SEAL	1		00.00.0000		22X28X5*KACO			5	0,000	
20	0730.260.257	BEARING BUSH	1		00.00.0000		ENTHALT.IN 0730 260 546(2)			5	0,000	
30	0634.302.143	SHAFT SEAL	1		00.00.0000		22X35X7			5	0,000	
40	0734.307.260	SCRAPER	1		00.00.0000		22X35X8/5 FA.CFW			5	0,000	
50	---	HEXAGON BOLT	2	Z0000705 8712	31.12.2011	31.12.2011	M8X50			3	0,000	
---	0636.016.404	HEXAGON BOLT	2	Z0000705 8717	14.07.2010	14.07.2010	M8X50			5	0,000	
---	0630.100.295	WASHER	2	Z0000715 8414	31.12.2010	31.12.2010				5	0,000	
60	---	HEXAGON BOLT	2	Z0000705 8712	31.12.2011	31.12.2011	M8X50			3	0,000	
---	0636.016.404	HEXAGON BOLT	2	Z0000705 8717	14.07.2010	14.07.2010	M8X50			5	0,000	
---	0630.100.295	WASHER	2	Z0000715 8414	31.12.2010	31.12.2010				5	0,000	
70	---	HEXAGON BOLT	2	Z0000705 8712	31.12.2011	31.12.2011	M8X50			3	0,000	
---	0636.016.404	HEXAGON BOLT	2	Z0000705 8717	14.07.2010	14.07.2010	M8X50			5	0,000	
---	0630.100.295	WASHER	2	Z0000715 8414	31.12.2010	31.12.2010				5	0,000	
80	---	HEXAGON BOLT	2	Z0000705 8712	31.12.2011	31.12.2011	M8X50			3	0,000	
---	0636.016.404	HEXAGON BOLT	2	Z0000705 8717	14.07.2010	14.07.2010	M8X50			5	0,000	
---	0630.100.295	WASHER	2	Z0000715 8414	31.12.2010	31.12.2010				5	0,000	
100	1306.306.042	GEAR SHIFT SHAFT	1		00.00.0000		ENTHALT.IN 1317 307 001(2)			5	0,000	

VKF Incidence factor

OTK Optional technical kit

ID Identification (output code)

SP Supplier plant



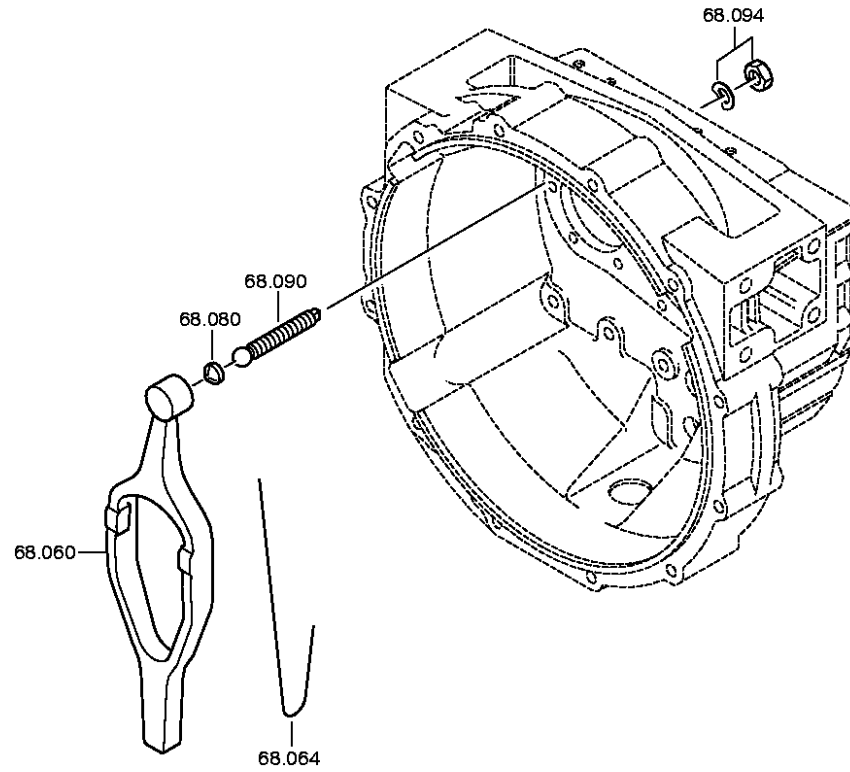
Pos.	Material number	Name	VKF	Amend. no.	Amend. start	Prod. no.	Material feature / tech. info.	OTK	External material no.	ID	Weight	SP
110	1307.306.259	GSHIFT FINGER	1		00.00.0000					5	0,000	
120	0630.531.005	RETAINING RING	1		00.00.0000		16X1,5			5	0,000	
140	1306.307.006	GEAR SHIFT LEVER	1		00.00.0000		U326 IN 1250 307 670(0)			5	0,000	
144	1238.307.411	PROTECTING CAP	1		00.00.0000				0606988	5	0,000	
150	---	BOLT+NUT	1		00.00.0000		M10X40			3	0,000	
---	0636.015.469	HEXAGON BOLT	1		00.00.0000		M10X40			5	0,030	
---	0637.006.120	HEXAGON NUT	1		00.00.0000		M10			5	0,010	
200	---	BREATHER	1		00.00.0000		M10X1KEG			3	0,000	
---	0501.202.797	BREATHER	1		00.00.0000		KPL.		00640762	3	30	

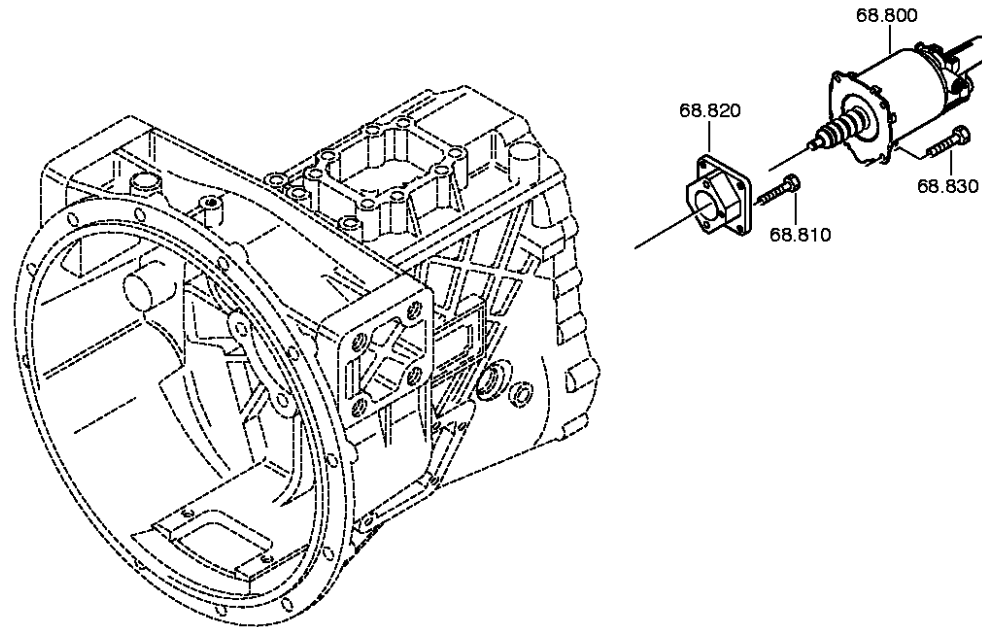
VKF Incidence factor

OTK Optional technical kit

ID Identification (output code)

SP Supplier plant







Pos.	Material number	Name	VKF	Amend. no.	Amend. start	Prod. no.	Material feature / tech. info.	OTK	External material no.	ID	Weight	SP
60	6060.268.004	RELEASE FORK	1		00.00.0000		KPL.			3	0,000	
80	0501.307.306	BALL CUP	1		00.00.0000					5	0,000	
90	6060.306.028	BALL PIN	1		00.00.0000					5	0,000	
94	---	HEXAGON NUT	1		00.00.0000		M16			3	0,000	
---	0637.100.245	HEXAGON NUT	1	Z0000728 3310	30.03.2011	30.03.2011	M16			5	0,000	
---	0630.100.245	SPRING WASHER	1	Z0000715 9613	01.01.2012	01.01.2012				5	0,000	
800	0501.007.540	CLUTCH CYLINDER	1		00.00.0000					5	0,000	
810	0636.016.414	HEXAGON BOLT	3	Z0000705 9111	01.01.2012	01.01.2012	M8X28			5	0,000	
820	1307.301.234	ADAPTER PLATE	1		00.00.0000					5	0,000	
830	0636.100.622	HEXAGON BOLT	4	Z0000904 2710	01.01.2012	01.01.2012	M8X16			5	0,000	

VKF Incidence factor

OTK Optional technical kit

ID Identification (output code)

SP Supplier plant